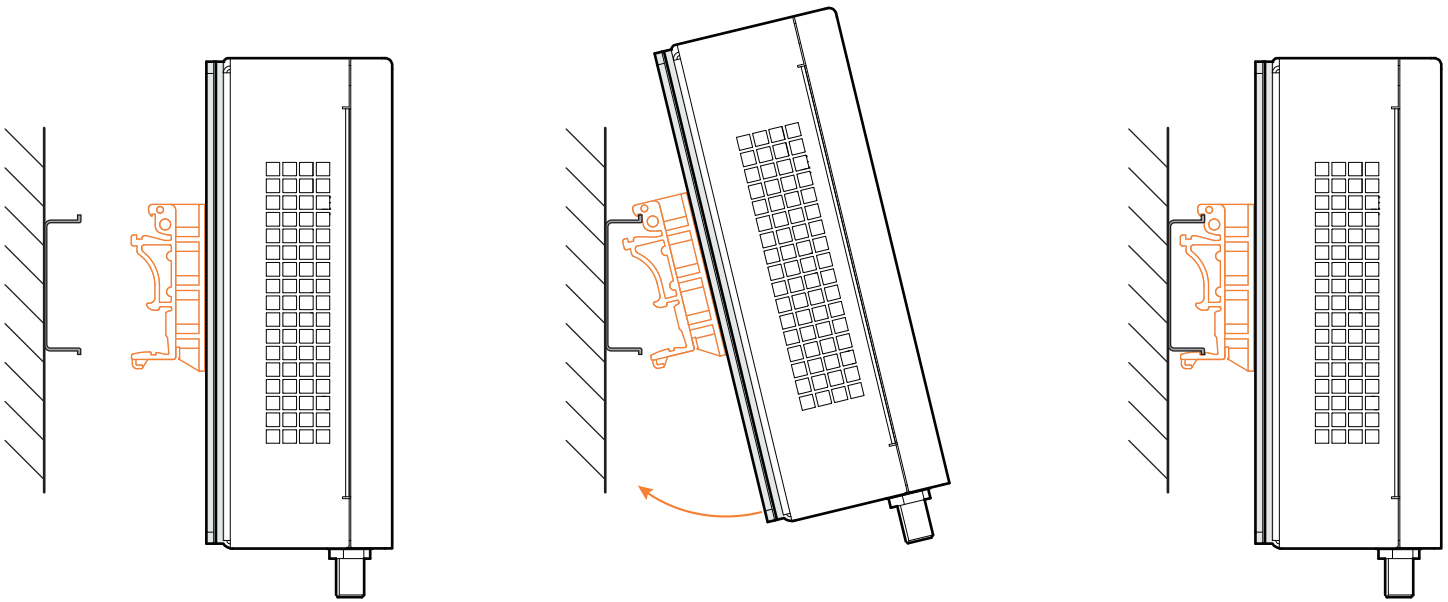
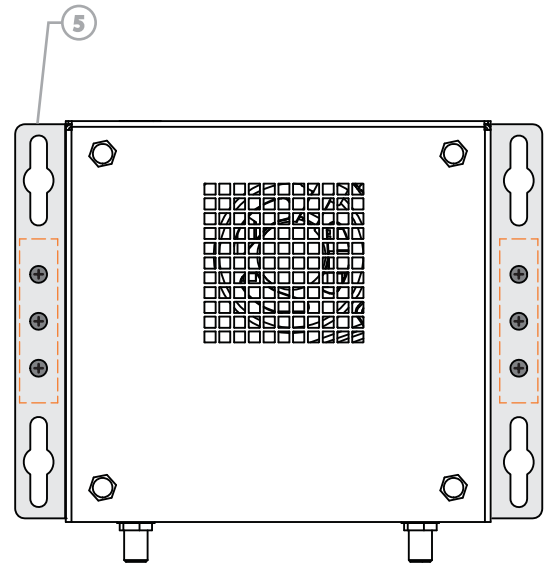
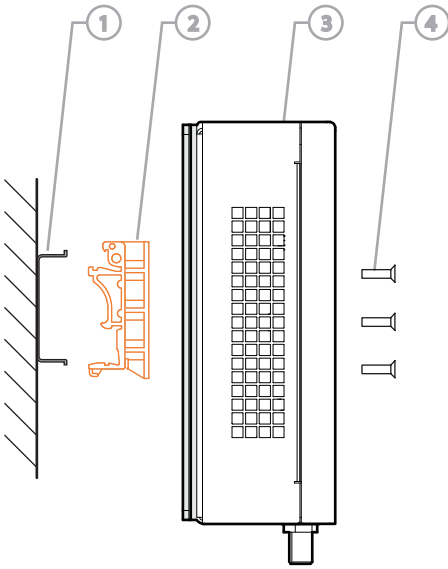


AG960: Core i3 Compact Multimedia Computer

DIN Mounting Guide

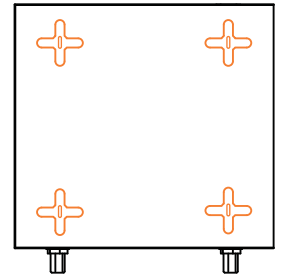
- ① DIN Rail
- ② DIN Clip (Product Number: DINClip01)
- ③ AG960 (Product Number: AG960)
- ④ 6x M3x0.5 or 4-40 screws (Product Number: AG960)
- ⑤ Mounting Brackets (Product Number: WDMK-1040)



AG960: Core i3 Compact Multimedia Computer

VESA Mounting Guide

- 1 Display with VESA-75 Mounting Holes
- 2 VESA Mounting Screws (Product Number: VESASK-M350)
- 3 AG960 (Product Number: AG960)



Four VESA-75 Mounting Punchouts

