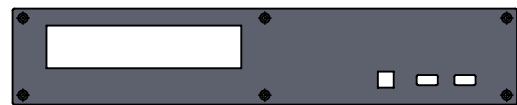


Standard alternate front plates (Lead time may vary)



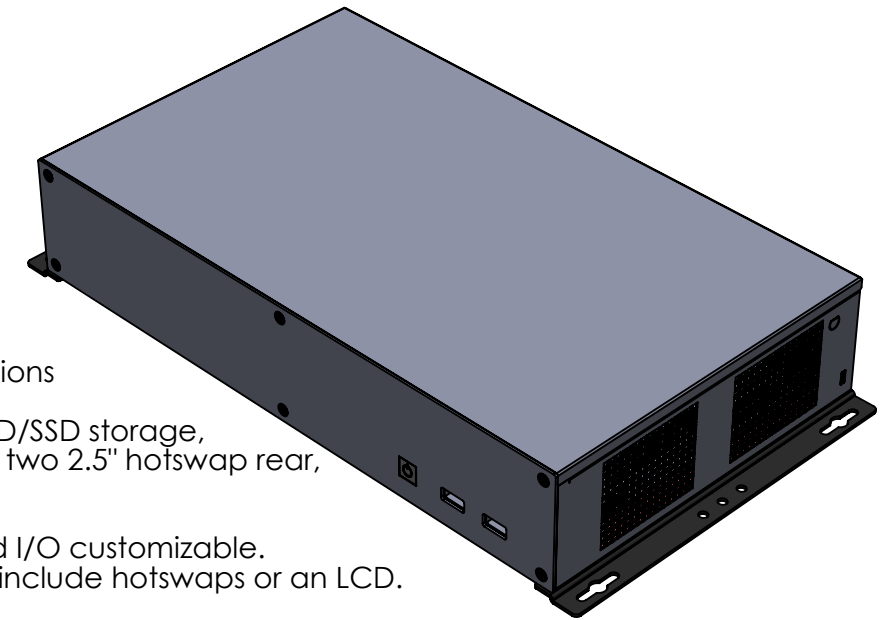
3.5" hotswap



2.5" hotswap



LCD + buttons



NOTES:

COOLING: Cross-case air cooling driven by one (standard) or two 60mm maglev fans.

EXPANSION SPACE: Available for projects, or supports combinations of the following:

One or two PCI/PCIe cards, two fixed 3.5" or up to eight 2.5" HDD/SSD storage, single 3.5" hotswap + fixed HDD/SSD or four 2.5" hotswap (front), two 2.5" hotswap rear, 30watt-hour Li-ion UPS system

CUSTOMIZATION: Removeable front plate, easily brandable and I/O customizable. Standard alternatives to the power button + 2 USB plate shown include hotswaps or an LCD. Customizable back plate.

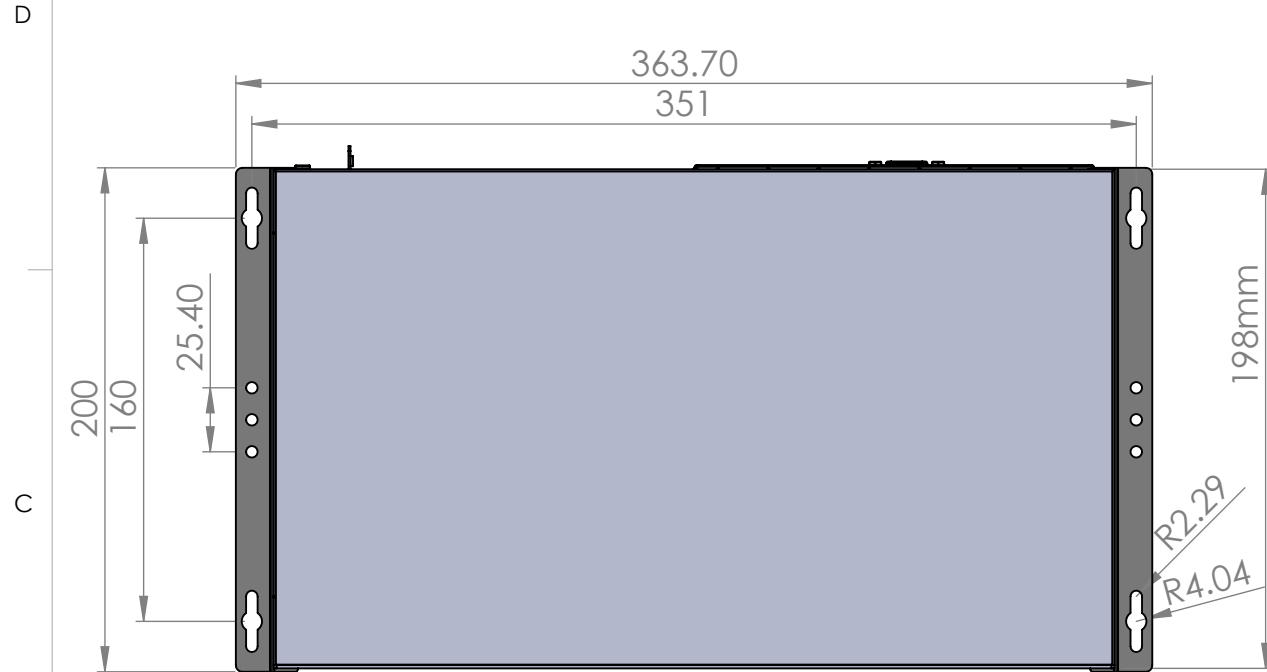
MAINBOARDS: Mini-ITX motherboards.

ASSEMBLY: two screws hold top of chassis on; top slides into place and is held securely at the front by a tongue and groove feature.

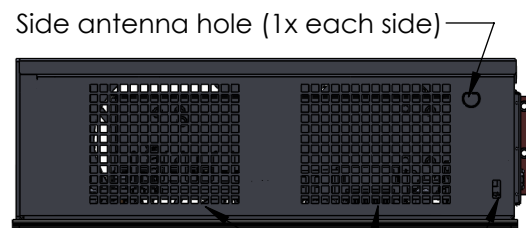
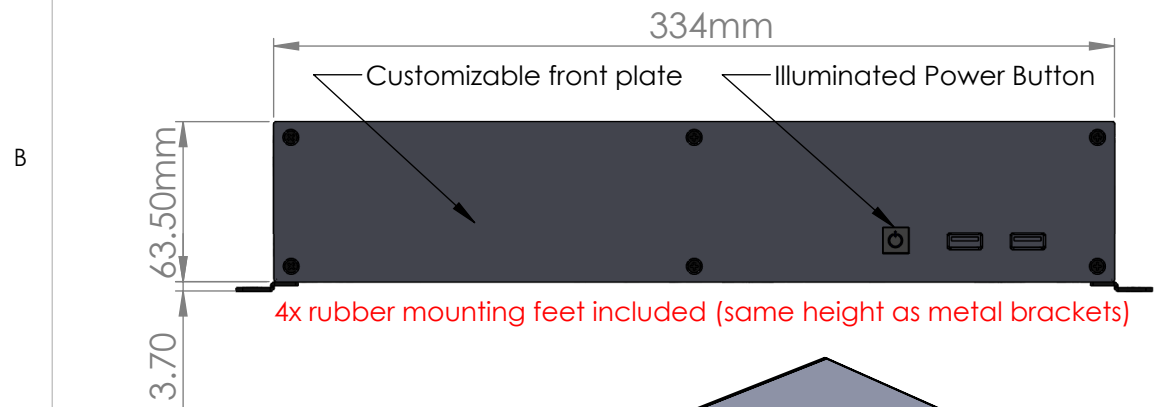
MOUNTING: VESA 100 knock-outs on bottom of chassis, DIN and wall mounts available, comes with four rubber feet for standard tabletop use

EMI: Nickel plated steel chassis, front EMI foam gasket included, rear EMI foam gaskets available, double right angle turns at every metal interface for quiet seals, pre-filled blanks cover PCI opening along with cover feature to eliminate large openings.

POWER BUTTON: Illuminated (Blue) with front button disable feature and hardware based auto power on.

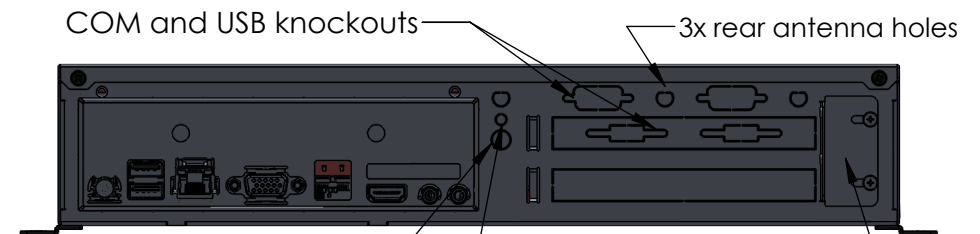


OPTIONAL MOUNTING BRACKETS SHOWN



Side antenna hole (1x each side)

Includes muffler for 2x 60mm MagLev fans



COM and USB knockouts

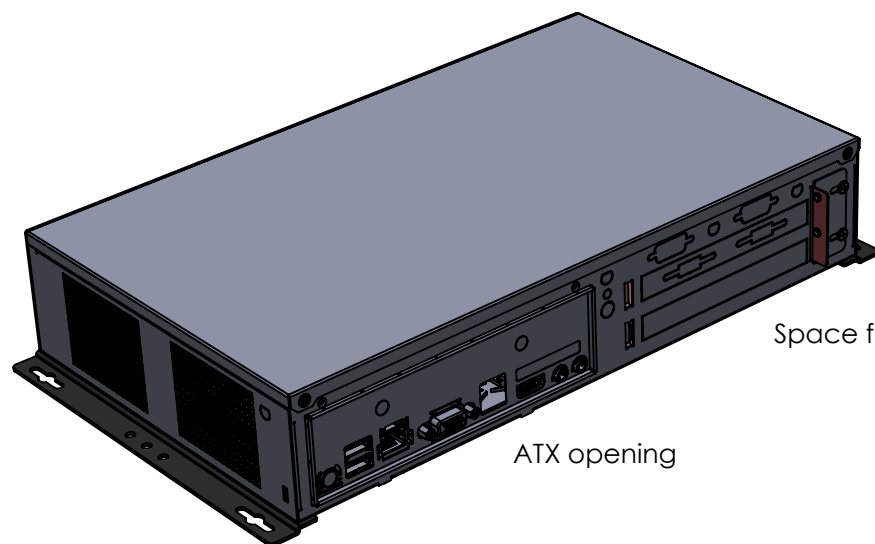
3x rear antenna holes

Standard power

Strain relief feature

EMI cover feature


2x Kensington Lock features



ATX opening

Space for two PCI/PCIe cards

**PROPRIETARY AND CONFIDENTIAL**  
THE INFORMATION CONTAINED IN THIS DRAWING IS THE SOLE PROPERTY OF LOGIC SUPPLY. ANY REPRODUCTION IN PART OR AS A WHOLE WITHOUT THE WRITTEN PERMISSION OF LOGIC SUPPLY IS PROHIBITED.

		UNLESS OTHERWISE SPECIFIED:		NAME	DATE	 35 Thompson St S. Burlington, VT 05473 802-861-2300 www.logicsupply.com
		DIMENSIONS AFTER PLATING OR OTHER PROCESS. TOLERANCES TO BE IN INCHES: X.X ± 0.1" X.XX ± 0.01" X.XXX ± 0.005" BEND ± 1 deg		DRAWN	HDB	
		INTERPRET GEOMETRIC TOLERANCING PER:		CHECKED		
		MATERIAL		ENG APPR.		
		FINISH		MFG APPR.		
NEXT ASSY	USED ON	Nickel Plated Steel		Q.A.		
APPLICATION		Black Textured Paint		COMMENTS:		
		DO NOT SCALE DRAWING		TITLE: Chassis, Expandable		
		SIZE	DWG. NO.	REV		
		<b>B</b>	1075-0000_r04	r04		
		SCALE: 1:5	WEIGHT:	SHEET 1 OF 1		