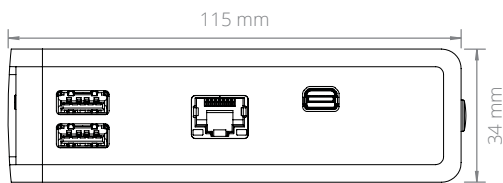


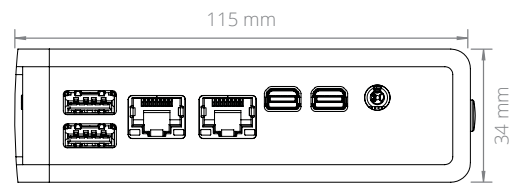
## CL200 Dimensional Drawings

Industrial USFF Edge Device

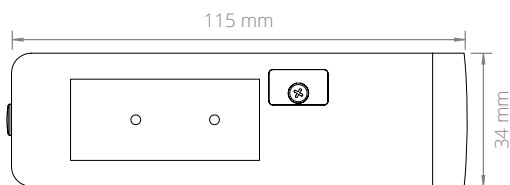
*All measurements in mm*



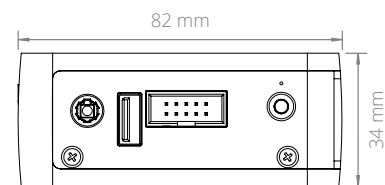
**CL200G-10 FRONT**



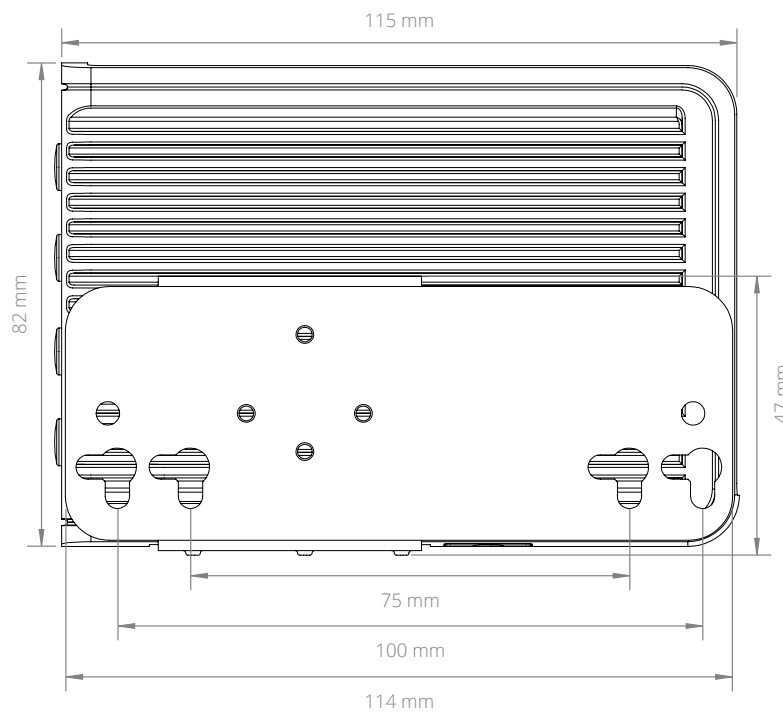
**CL210G-10 FRONT**



**BACK**



**SIDE**



**TOP**

