

Innovation Loves Company

The ML600 Series builds on Logic Supply's history of engineering expertise and the success of the ML100, pushing the boundaries of fanless computing further than ever before.

logicsupply.com/ml600



The Strong Silent Type

Featuring systems with advanced Intel i7 desktop processing, the ML600 Series doesn't sacrifice high-performance for its eye-catching compact, silent design.

Do More, Fanless

Engineered and configured for the demands of today's industrial computing applications, the fanless ML600 lets you focus on your business, not maintaining your computer hardware.

Kitchen Sink Not Included

Choose your ideal PC solution and connect modern or legacy systems with the ML600's unparalleled complement of commercial I/O and unique Flex Bay technology.

US Office

Phone: +1 802 861 2300
Email: info@logicsupply.com
www.logicsupply.com

EU Office

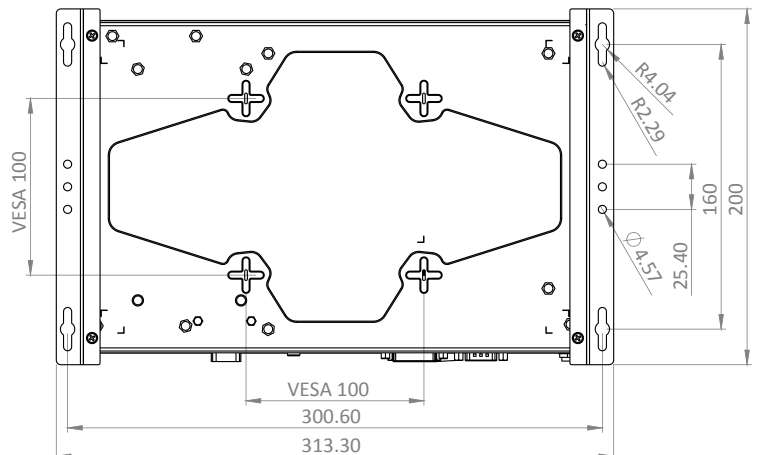
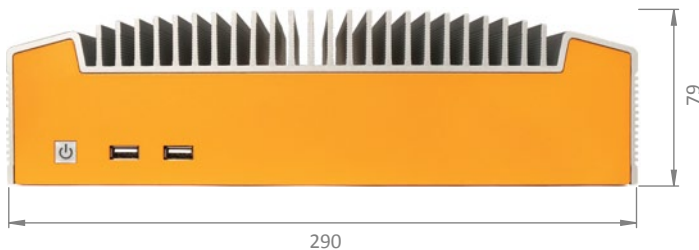
Phone: +31 85 2733760
Email: info@logicsupply.eu
www.logicsupply.eu

Specifications

Front I/O	2 USB 2.0 ports LED Power Button	Memory Speed	1600 MHz
Rear I/O	1 USB 2.0 port 2 Gb LAN ports 1 Dedicated IPMI RJ-45 LAN port 1 RS-232 COM port 1 VGA port 1 UID LED	Memory Slot	4
Processors	2.4 GHz Intel C2550 Quad-Core or Intel C2750 Octa-Core	Storage Options	2.5" HDD/SSD, 2.5" Hot-swap HDD/SSD
Processor Socket	Onboard (BGA)	LAN Controller	Intel I210 GbE
Processor Generation	Avoton	System Monitoring	Temperature Sensing
Processor Cores	4 cores: Intel C2550 8 cores: Intel C2750	Input Voltage	12 V
Graphics/GPU	ASPEED AST2300	Power Input	Onboard DC jack
Memory Type	DDR3 DIMM (ECC or non-ECC)	Operating Temperature	0°C ~ 50°C
Memory Capacity	32 GB	Dimensions (mm)	290 W x 79 H x 187 D
		Case Material	Steel With Aluminum Extrusion
		Mounting	VESA MIS-D 100 mount, Wall-mount, DIN-mount
		Included Accessories	Rubber feet, DC Jack Retaining Clip
		Warranty	1 year warranty on parts and services

Dimensional Drawings

All dimensions in mm

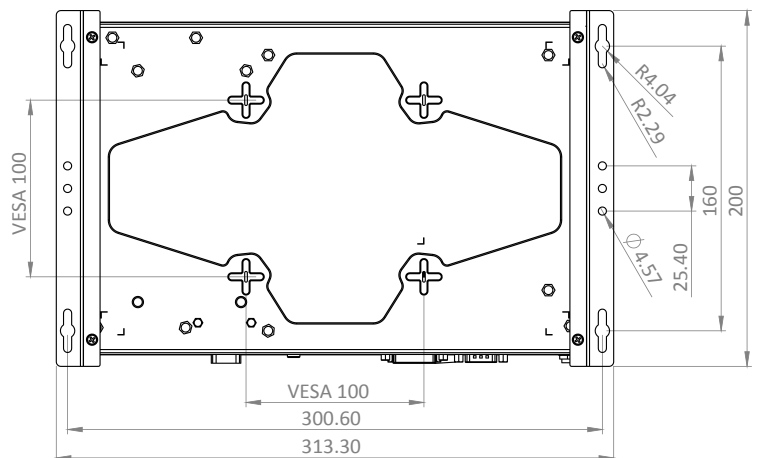
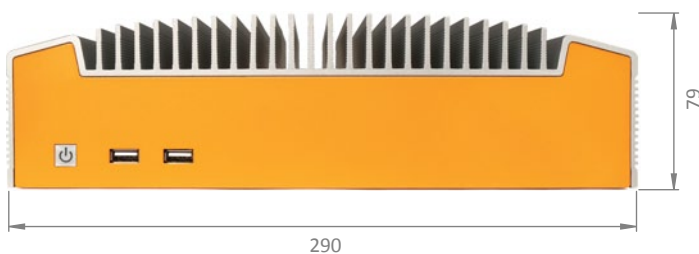


Specifications

Front I/O	2 USB 2.0 ports Power Button	Memory Slot	2
Rear I/O	1 DisplayPort 1 HDMI port 2 Gb LAN ports (1 with iAMT support) 4 USB 3.0 ports 4 USB 2.0 ports 2 RS-232 COM ports 2 Audio jacks: line-out, mic-in 1 DC Barrel jack	Expansion Type	PCIe Mini Card (full height) PCIe Mini Card (half-height)
Processors	2.2 GHz Intel Celeron G1820TE 2.3 GHz Intel Pentium G3320TE 2.4 GHz Intel Core i3-4330TE 2.7 GHz Intel Core i5-4570TE 2.3 GHz Intel Core i7-4770TE	Storage Options	2.5" HDD/SSD 2.5" Hot-swap HDD/SSD
Processor Generation	Haswell	LAN Controller	Intel I210 GbE Intel I217LM GbE with AMT
Processor Cores	Processor-dependent	Audio Controller	HD Audio Codec ALC888
Graphics/GPU	Intel 4th Generation HD Graphics	Input Voltage	12 ~ 19 V
Memory Type	DDR3 SO-DIMM (non-ECC)	Power Input	Onboard DC jack
Memory Capacity	16 GB	Operating Temperature	0°C ~ 50°C
Memory Speed	1600 MHz	Dimensions (mm)	290 W x 79 H x 187 D
		Case Material	Steel With Aluminum Extrusion
		Port Punchouts	3x Antenna Holes
		Mounting	VESA MIS-D 100 mount, Wall-mount, DIN-mount
		Included Accessories	Rubber feet, DC Jack Retaining Clip
		Warranty	1 year warranty on parts and services

Dimensional Drawings

All dimensions in mm



Specifications

Front I/O	2 USB 2.0 ports Power Button	Memory Speed	1600 MHz
Rear I/O	1 HDMI port 1 DisplayPort 1 DVI-I port 4 USB 3.0 ports 2 USB 2.0 ports 2 Gb LAN ports 3 RS-232/422/485 COM ports 3 RS-232 COM ports (1 with Optional Dual Hot Swap) 2 Audio jacks; line-out, mic-in	Memory Slot	2
Processors	2.2 GHz Intel Celeron G1820TE 2.3 GHz Intel Pentium G3320TE 2.4 GHz Intel Core i3-4330TE 2.7 GHz Intel Core i5-4570TE 2.3 GHz Intel Core i7-4770TE	Expansion Type	PCIe Mini Card (full length)
Processor Generation	Haswell	Storage Options	2.5" HDD/SSD, Optional 2.5" Hot-swap HDD/SSD, mSATA, SATA Flash Module
Processor Cores	Processor-dependent	LAN Controller	Intel I210 GbE Intel I217LM GbE with AMT
Graphics/GPU	Intel 4th Generation HD Graphics	Audio Controller	HD Audio Codec ALC662
Memory Type	DDR3 SO-DIMM (non-ECC)	Input Voltage	12 V
Memory Capacity	16 GB	Power Input	Onboard DC jack
		Operating Temperature	0°C ~ 50°C
		Dimensions (mm)	290 W x 79 H x 187 D
		Case Material	Steel With Aluminum Extrusion
		Port Punchouts	3x Antenna Holes
		Mounting	VESA MIS-D 100 mount, Wall-mount, DIN-mount
		Included Accessories	Rubber feet, DC Jack Retaining Clip
		Warranty	1 year warranty on parts and services

Dimensional Drawings

All dimensions in mm

