

CL100

Anything, Anywhere.

Ultra-small, yet highly capable, the CL100 is the ubiquitous computing platform ideal for any task.

logicsupply.com/cl100/



Power In The Palm Of Your Hand

Measuring just 117 x 112 x 36mm, the CL100 packs dependable performance in a system that can be installed virtually anywhere.



Built For Your Connected World

Capable of powering triple independent displays, the CL100 lets you connect the devices and peripherals you need.

Not Just Another Black Box

The CL100 incorporates a modern design aesthetic while maintaining its industrial heritage, striking the ideal balance between form and function.

US Office

Phone: +1 802 861 2300
Email: info@logicsupply.com
www.logicsupply.com

EU Office

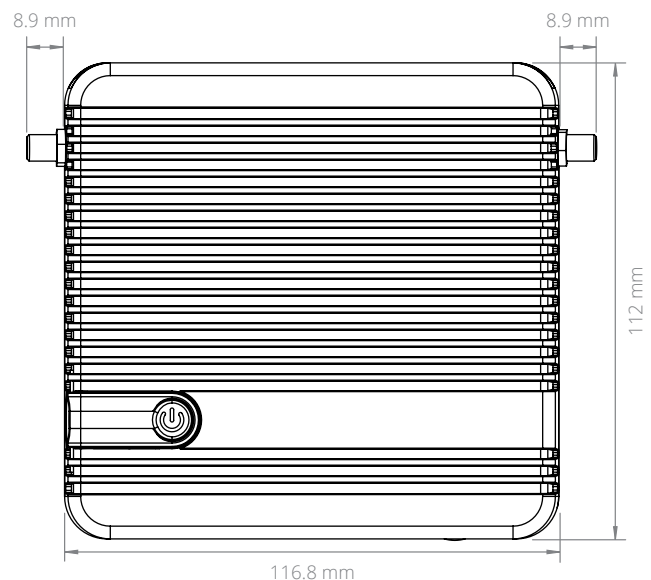
Phone: +31 85 2733760
Email: info@logicsupply.eu
www.logicsupply.com

Specifications

Front I/O	1 USB 3.0 port 1 USB Type C port 1 Audio jack; Speaker/Mic-in	Memory Type	DDR3L SO-DIMM (non-ECC)
Rear I/O	2 HDMI ports 1 DisplayPort 1 Gb LAN 2 USB 3.0 ports 1 DC jack	Memory Capacity	Up to 16 GB
Processor	Intel Celeron N3160	Memory Speed	1600 MHz
Processor Speed	1.6 GHz	LAN Controller	Realtek RT8111G
Processor Generation	Braswell	Input Voltage	12 V
Processor Cores	4	Power Input	DC jack
Graphics/GPU	Intel HD Graphics	Operating Temp. Range	0°C ~ 40°C
		Dimensions (WxHxD)	116.75 W x 36.7 H x 112 D
		Case Material	Steel and Cast Aluminum
		Mounting	DIN mount, Wall-mount

Dimensional Drawings

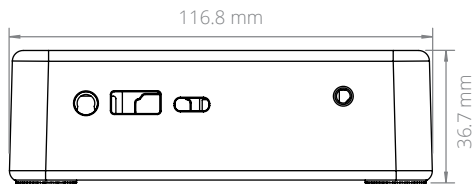
All measurements in mm



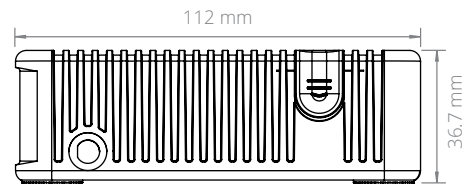
CL100 Dimensional Drawings

Industrial Fanless Mini PC

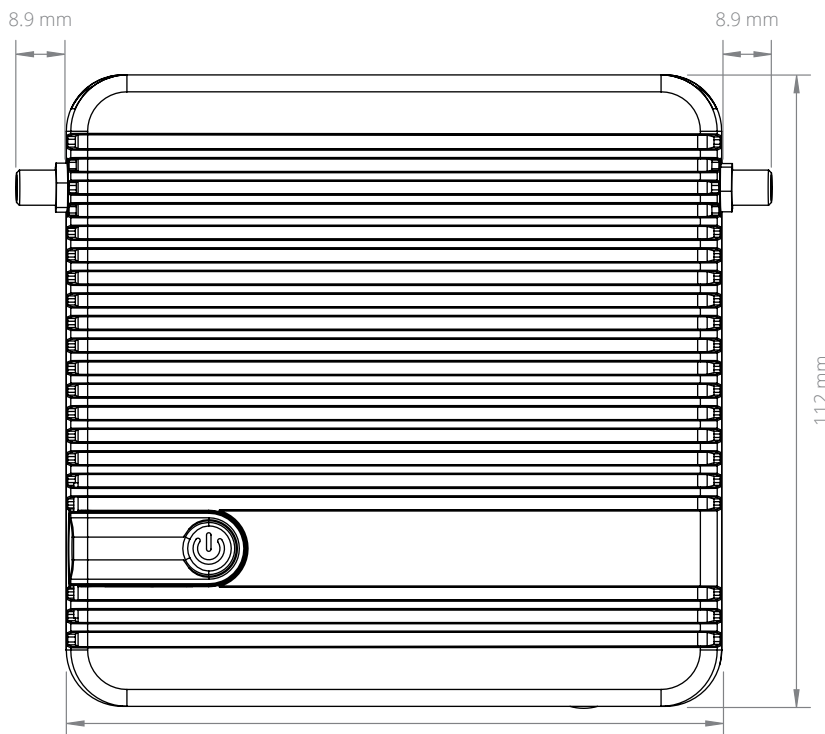
All measurements in mm



FRONT



BOTTOM SIDE



TOP

