



A Versatile Mini-ITX PC.

A feature-rich system in a compact, durable enclosure, the MC500 combines the popular Mini-ITX form factor with a carefully engineered, actively cooled chassis.

logicsupply.com/mc500-series/



Built for Commercial Use

With a range of Intel processor options, and long lifecycle components, the MC500 Series is both flexible and efficient.

Right Size for the Job

Small form factor doesn't have to mean limited capabilities. The MC500 combines the power of a traditional PC and the flexibility of a compact, all steel chassis.

Interface With Anything

The MC500 Series was built with commercial applications in mind, offering a wide range of modern and legacy connectivity.

US Office

Phone: +1 802 861 2300
Email: info@logicsupply.com
www.logicsupply.com

EU Office

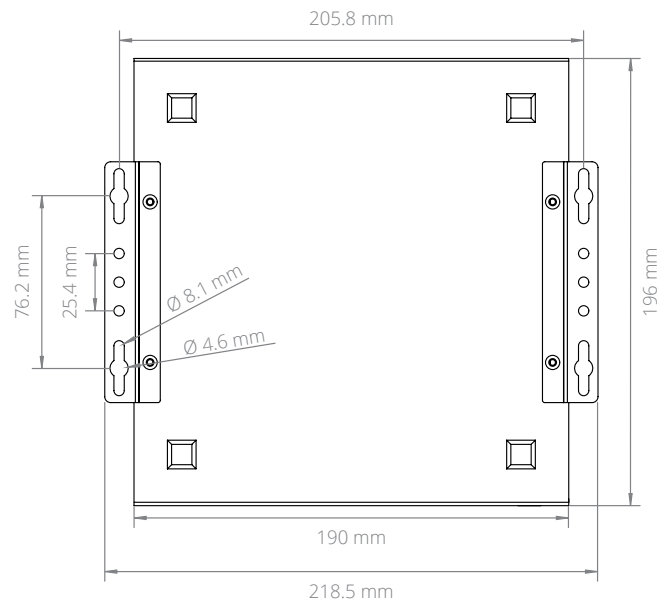
Phone: +31 85 2733760
Email: info@logicsupply.eu
www.logicsupply.com

Specifications

Front I/O	2 USB 2.0 ports Power button	LAN Controller	Realtek RT8111G-CG
Rear I/O	2 USB 2.0 ports 2 USB 3.0 ports 1 VGA port 2 LAN ports 1 DVI-I port 2 RS-232 COM ports 1 PS2 keyboard port 1 PS2 mouse port 3 Audio jacks: line-out, line-in, mic-in	Onboard Controllers	3 USB 2.0 via 2 pin headers 2 SATA connectors 1 Front panel audio pin header 1 S/PDIF header 1 Front panel pin header 1 Fan pin header 1 LPT pin header 1 LVDS connector (24-bit, dual channel) 2 RS-232 COM pin headers 24-pin ATX connector
Processor	Intel Celeron J1900	Input Voltage	12 V
Processor Speed	2 GHz	Power Input	DC jack
Processor Generation	Bay Trail	Operating Temp. Range	0°C ~ 50°C
Processor Cores	4	Dimensions (WxHxD)	190 x 62 x 196 mm
Graphics/GPU	Intel HD Graphics	Case Material	Steel
Memory Type	DDR3L SO-DIMM (non-ECC)	Mounting	DIN-mount, VESA-mount, Wall-mount
Memory Capacity	Up to 8 GB		
Memory Speed	1333 MHz		

Dimensional Drawings

All measurements in mm

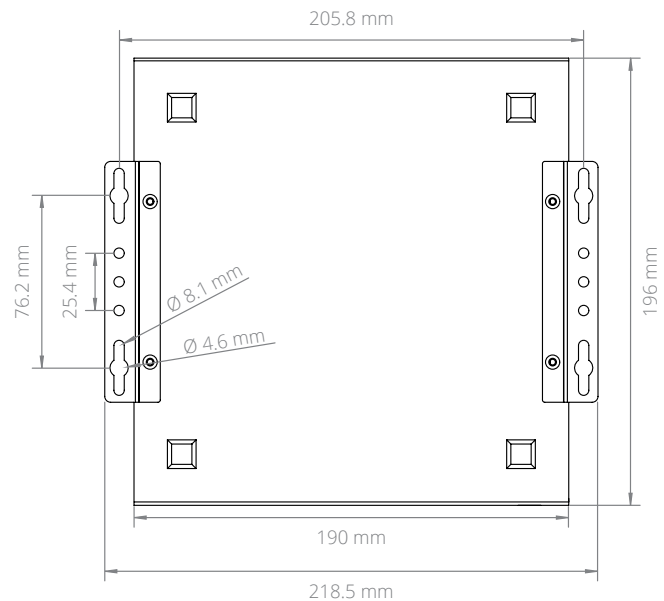


Specifications

Front I/O	2 USB 2.0 ports Power Button	Memory Type	DDR3L SO-DIMM (non-ECC)
Rear I/O	1 VGA port 1 HDMI port 2 Gb LAN ports 4 USB 3.0 ports 3 COM ports 2 Audio Jacks (Mic-in; Line-out) 2 PS/2 ports	Memory Capacity	Up to 8 GB
Processor	Intel Celeron N3350 Intel Pentium N4200	Memory Speed	1866 MHz
Processor Speed	1.1 GHz	LAN Controller	Realtek RTL8111G
Processor Generation	Apollo Lake	Input Voltage	+12V or +19V~+24V
Processor Cores	2 ~ 4	Power Input	DC jack
Graphics/GPU	Intel HD Graphics 500 Intel HD Graphics 505	Operating Temp. Range	0 ~ 50°C
		Dimensions (WxHxD)	190 x 62 x 196 mm
		Case Material	Steel
		Mounting Options	DIN-mount, VESA-mount, Wall-mount

Dimensional Drawings

All measurements in mm



US Office

Phone: +1 802 861 2300
Email: info@logicsupply.com
www.logicsupply.com

EU Office

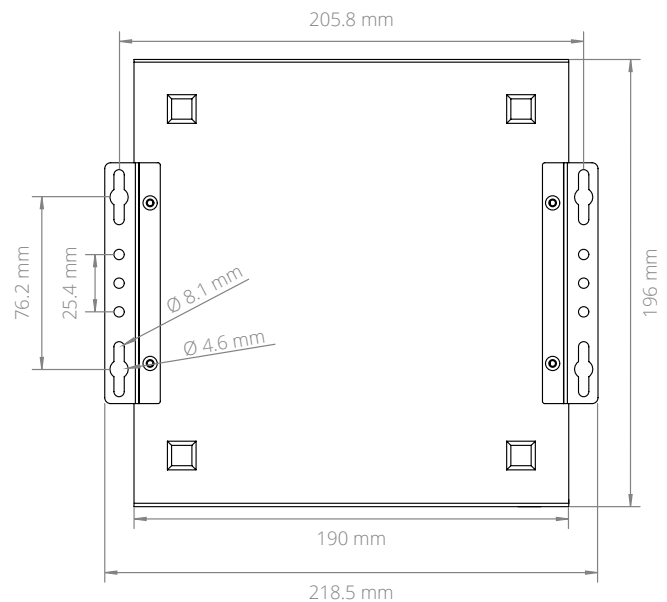
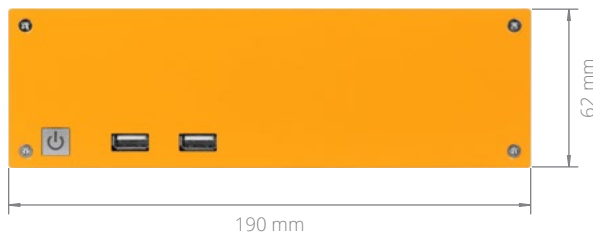
Phone: +31 85 2733760
Email: info@logicsupply.eu
www.logicsupply.com

Specifications

Front I/O	2 USB 2.0 ports Power button	LAN Controller	Intel I210-AT GbE Intel I217LM GbE with Intel AMT
Rear I/O	1 DisplayPort 1 HDMI port 2 Gb LAN port 4 USB 3.0 ports 2 Audio jacks: line-out, mic-in 1 19V DC (5.1 mm ID x 7.4 mm OD)	Onboard Controllers	4 SATA 3 Gb/sec connectors 6 USB 2.0 ports via pin headers 1 Front panel Audio header 1 LVDS connector 2 RS-232 COM headers 1 S/PDIF-out pin header 1 Front panel pin header 2 Fan pin headers
Processor	Intel Celeron, Pentium, Core i3/i5/i7	Input Voltage	19 V
Processor Speed	Configuration dependent	Power Input	DC jack
Processor Generation	Haswell	Operating Temp. Range	0°C ~ 50°C
Processor Cores	Configuration dependent	Dimensions (WxHxD)	190 x 62 x 196 mm
Graphics/GPU	Intel HD Graphics	Case Material	Steel
Memory Type	DDR3L SO-DIMM (non-ECC)	Mounting	DIN-mount, VESA-mount, Wall-mount
Memory Capacity	Up to 16 GB		
Memory Speed	1600, 1333 MHz		

Dimensional Drawings

All measurements in mm

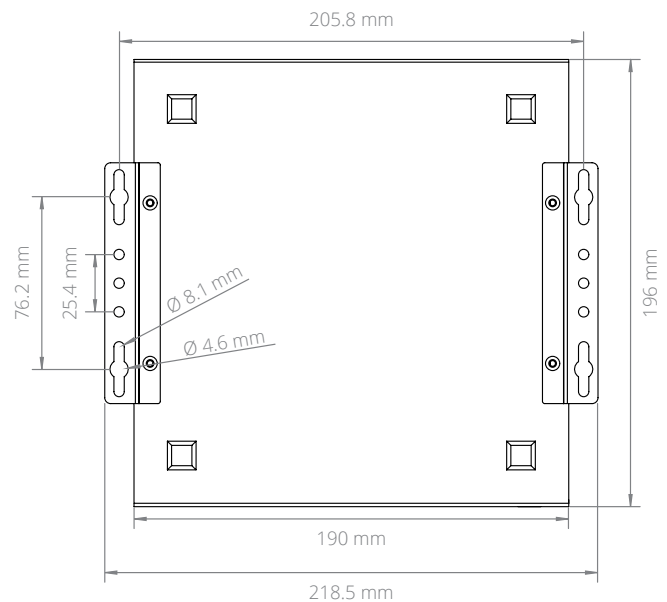
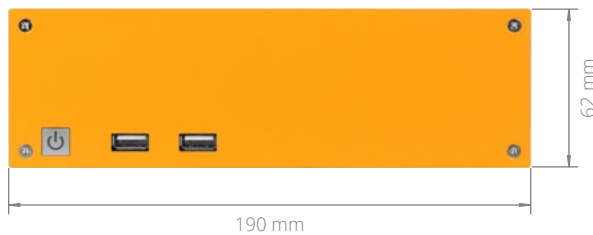


Specifications

Front I/O	2 USB 2.0 ports Power button	LAN Controller	Intel I210 GbE Intel I217LM GbE with Intel AMT
Rear I/O	1 HDMI port 2 DisplayPort 1 VGA port 4 USB 3.0 ports 2 Gb LAN ports 2 RS-232/422/485 COM ports 2 Audio jacks; line-out, mic-in	Onboard Controllers	8 USB ports via 4 pin headers 1 Internal USB port 4 RS-232 COM headers 1 8-bit GPIO header 1 Parallel port header 1 TPM header 1 LVDS pin header (24-bit, dual channel)
Processor	Intel Core i3/i5	Input Voltage	12 ~ 19 V
Processor Speed	Configuration dependent	Power Input	DC jack
Processor Generation	Haswell	Operating Temp. Range	0°C ~ 50°C
Processor Cores	2	Dimensions (WxHxD)	190 x 62 x 196 mm
Graphics/GPU	Intel HD Graphics	Case Material	Steel
Memory Type	DDR3 SO-DIMM (Non-ECC)	Mounting	DIN-mount, VESA-mount, Wall-mount
Memory Capacity	Up to 16 GB		
Memory Speed	1600, 1333, 1066 MHz		

Dimensional Drawings

All measurements in mm



US Office

Phone: +1 802 861 2300
Email: info@logicsupply.com
www.logicsupply.com

EU Office

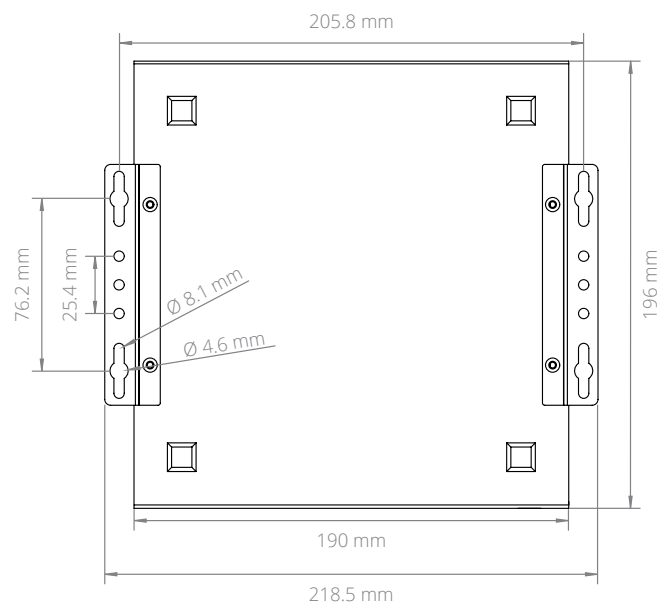
Phone: +31 85 2733760
Email: info@logicsupply.eu
www.logicsupply.com

Specifications

Front I/O	2 USB 2.0 ports Power button	Memory Type	DDR4 SO-DIMM (non-ECC)
Rear I/O	1 HDMI port 1 DisplayPort 1 VGA port 4 USB 3.0 ports 2 Gb LAN ports 1 RS-232 COM port 1 RS-232/422/485 COM port 2 Audio jacks; line-out, mic-in	Memory Capacity	Up to 32 GB
Processor	Intel Celeron, Pentium, Core i3/i5/i7	Memory Speed	2133 MHz
Processor Speed	Configuration dependent	LAN Controller	Intel I210 GbE Intel I219V
Processor Generation	Skylake	Input Voltage	12 V
Processor Cores	Configuration dependent	Power Input	DC jack
Graphics/GPU	Intel HD Graphics	Operating Temp. Range	0°C ~ 50°C
		Dimensions (WxHxD)	190 x 62 x 196 mm
		Case Material	Steel
		Mounting	DIN-mount, VESA-mount, Wall-mount

Dimensional Drawings

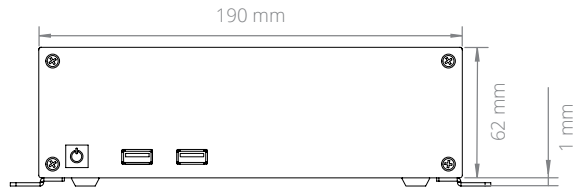
All measurements in mm



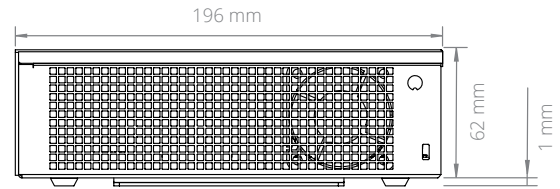
MC500 Dimensional Drawings

Compact Mini-ITX Case

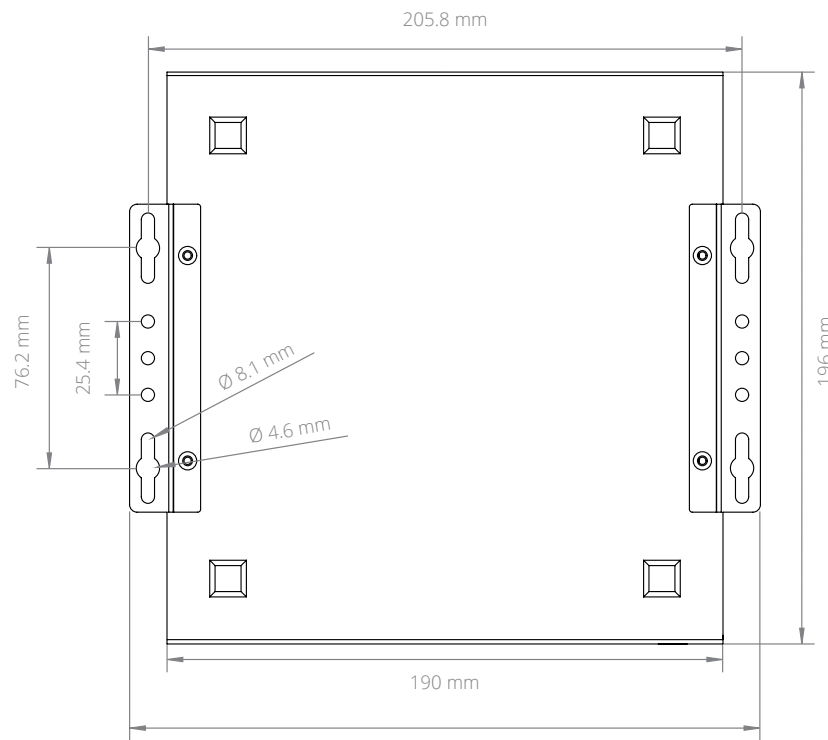
All measurements in mm



FRONT



SIDE



BOTTOM

