



Mini-ITX With Expansion.

Easy to customize with ample room for expansion, the MC600 Series features Mini-ITX systems specifically engineered for commercial applications.

logicsupply.com/mc600-series/



A Range of Capabilities

From energy efficient Intel Atom processing, to highly capable Xeon server models, the MC600 Series can be configured to tackle any task.



Create the System You Need

Whether your application demands specialized I/O, more storage or additional wireless capabilities, the MC600 Series is built to be the heart of your solution.

Durable, Expandable, Remarkable

With a host of expansion options, the MC600 Series lets you choose the right combination of features for your unique application.

US Office

Phone: +1 802 861 2300
Email: info@logicsupply.com
www.logicsupply.com

EU Office

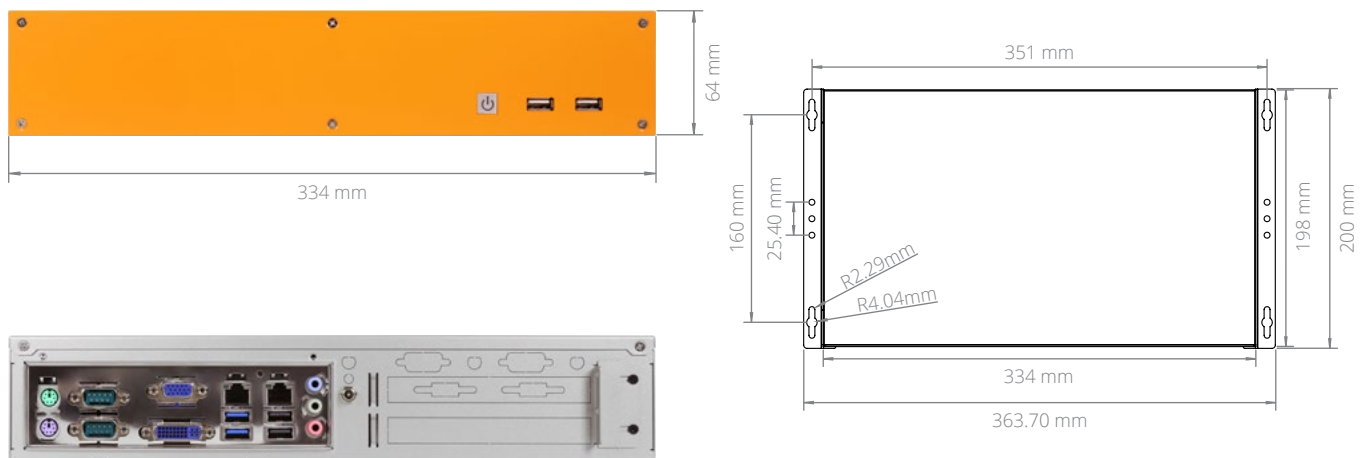
Phone: +31 85 2733760
Email: info@logicsupply.eu
www.logicsupply.com

Specifications

Front I/O	2 USB 2.0 ports Power Button	LAN Controller	Realtek RT8111G-CG
Rear I/O	2 USB 2.0 ports 2 USB 3.0 ports 1 VGA port 2 Gb LAN ports 1 DVI-I port 2 RS-232 COM ports 1 PS2 keyboard port 1 PS2 mouse port 3 Audio jacks: line-out, line-in, mic-in	Onboard Connectors	3 USB 2.0 via 2 pin headers 2 SATA connectors 1 Front panel audio pin header 1 S/PDIF header 1 Front panel pin header 1 Fan pin header 1 LPT pin header 1 LVDS connector (24-bit, dual channel) 2 RS-232 COM pin headers 24-pin ATX connector
Processor	Intel Celeron J1900	Input Voltage	12 V
Processor Speed	2 GHz	Power Input	DC jack
Processor Generation	Bay Trail	Operating Temp. Range	0°C ~ 50°C
Processor Cores	4	Dimensions (WxHxD)	334 x 64 x 198 mm
Graphics/GPU	Intel HD Graphics	Case Material	Steel
Memory Type	DDR3L SO-DIMM (non-ECC)	Mounting	DIN-mount, Wall-mount
Memory Capacity	Up to 8 GB		
Memory Speed	1333 MHz		

Dimensional Drawings

All measurements in mm

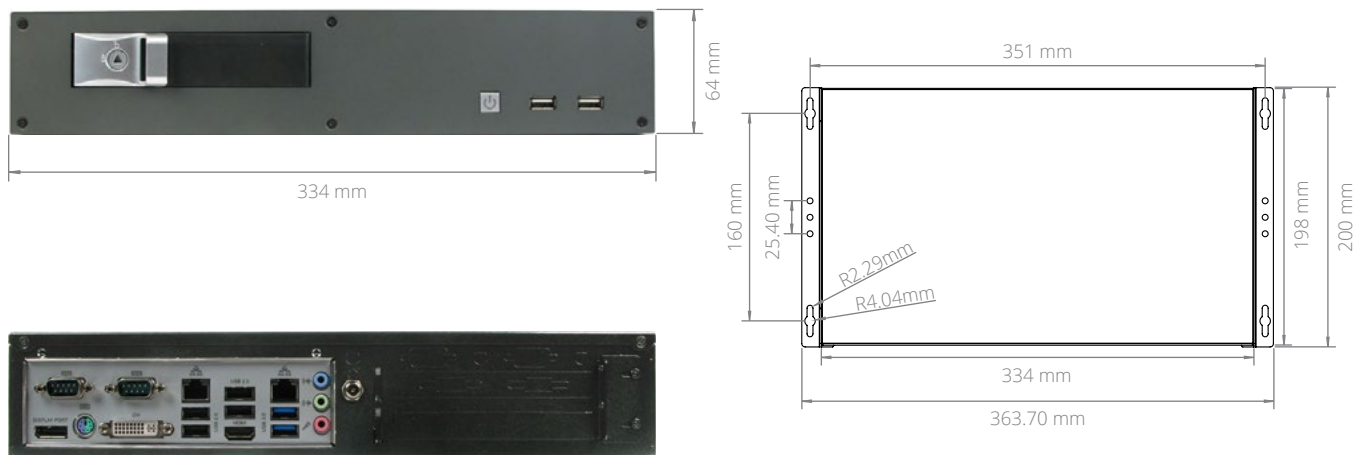


Specifications

Front I/O	2 USB 2.0 ports Power Button	LAN Controller	Intel 82579LM PCIe GbE Intel 82583V PCIe GbE
Rear I/O	1 HDMI port 1 DisplayPort 1 DVI-I port 2 USB 3.0 ports 4 USB 2.0 ports 2 Gb LAN ports 2 RS-232/422/485 COM ports 1 PS/2 Mouse/Keyboard port 3 Audio headers; line-out, line-in, mic-in	Onboard Connectors	4 USB 2.0 ports via 2 pin headers 2 USB 3.0 ports via 1 pin header 4 RS-232 COM headers 1 8-bit GPIO header 1 Parallel port header 1 LVDS pin header (24-bit, dual channel) 1 Chassis Intrusion header 1 Audio header 1 4-pin power connector
Processor	Intel Celeron, Core i3/i5/i7	Input Voltage	12 V
Processor Speed	Configuration Dependent	Power Input	DC jack
Processor Generation	Ivy Bridge	Operating Temp. Range	0°C ~ 50°C
Processor Cores	Configuration Dependent	Dimensions (WxHxD)	334 x 64 x 198 mm
Graphics/GPU	Intel HD Graphics	Case Material	Steel
Memory Type	DDR3 SO-DIMM (non-ECC)	Mounting	DIN-mount, Wall-mount
Memory Capacity	Up to 16 GB		
Memory Speed	1600 MHz		

Dimensional Drawings

All measurements in mm

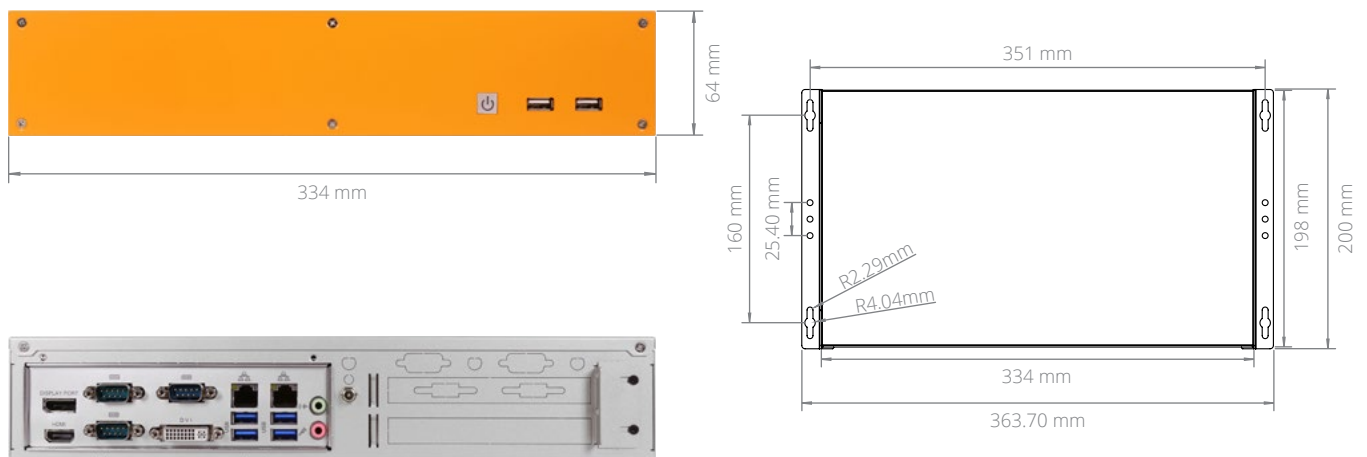


Specifications

Front I/O	2 USB 2.0 ports Power Button	LAN Controller	Intel I210 GbE Intel I217LM GbE with Intel AMT
Rear I/O	1 HDMI port 1 DisplayPort 1 DVI-I port 4 USB 3.0 ports 2 Gb LAN ports 3 RS-232/422/485 COM ports 2 Audio jacks; line-out, mic-in	Onboard Connectors	8 USB 2.0 ports via 4 pin headers 3 RS-232 COM headers 1 8-bit GPIO header 1 Speaker header 24-pin ATX connector
Processor	Intel Celeron, Pentium, Core i3/i5/i7	Input Voltage	12 V
Processor Speed	Configuration Dependent	Power Input	DC jack
Processor Generation	Haswell	Operating Temp. Range	0°C ~ 50°C
Processor Cores	Configuration Dependent	Dimensions (WxHxD)	334 x 64 x 198 mm
Graphics/GPU	Intel 4th Generation HD Graphics	Case Material	Steel
Memory Type	DDR3 SO-DIMM (non-ECC)	Mounting	DIN-mount, Wall-mount
Memory Capacity	Up to 16 GB		
Memory Speed	1600, 1333 MHz		

Dimensional Drawings

All measurements in mm

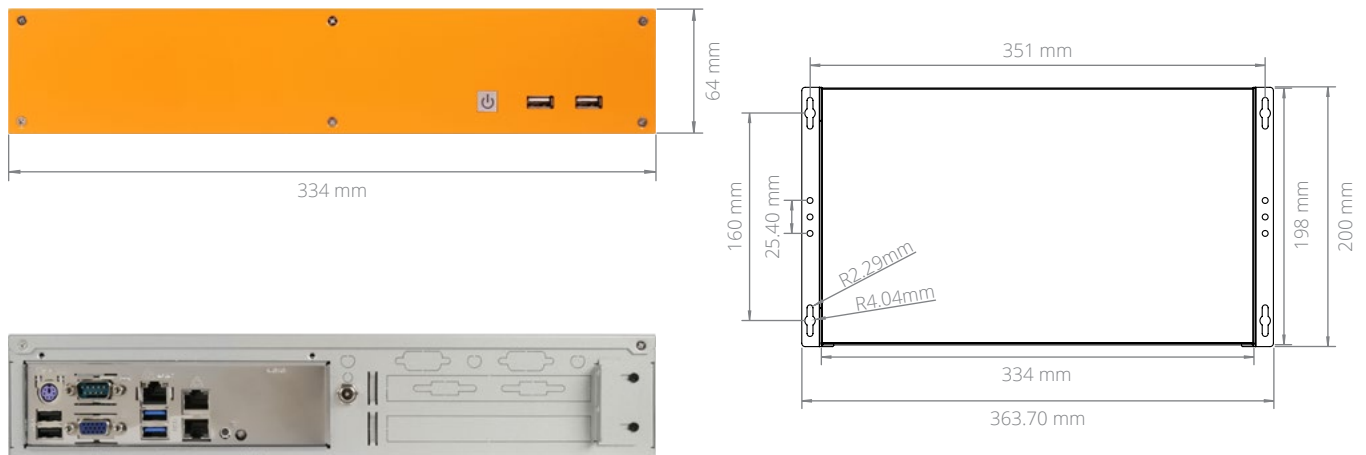


Specifications

Front I/O	2 USB 2.0 ports Power Button	Memory Capacity	Up to 16 GB
Rear I/O	1 PS/2 port 2 USB 2.0 ports 2 USB 3.0 ports 2 Gb LAN ports 1 IPMI port 1 RS-232 COM port 1 VGA Video port 1 UID light with switch	Memory Speed	1600 MHz
Processor	Intel Xeon	LAN Controller	Intel I210 GbE
Processor Speed	Configuration Dependent	Onboard Connectors	1 RS-232 COM pin header 2 USB 3.0 via 1 pin header 2 USB 2.0 via 1 pin header
Processor Generation	Broadwell, Haswell	Input Voltage	12 V
Processor Cores	4	Power Input	DC jack
Graphics/GPU	ASPEED AST2300	Operating Temp. Range	0°C ~ 50°C
Memory Type	DDR3 DIMM (ECC)	Dimensions (WxHxD)	334 x 64 x 198 mm
		Case Material	Steel
		Mounting	DIN-mount, Wall-mount

Dimensional Drawings

All measurements in mm



US Office

Phone: +1 802 861 2300

Email: info@logicsupply.com

www.logicsupply.com

EU Office

Phone: +31 85 2733760

Email: info@logicsupply.eu

www.logicsupply.com

MC600 Dimensional Drawings

Compact Mini-ITX Case with Expansion

All measurements in mm

