



Reliable Fanless Rackmounts.

The MK020 Series of Fanless Rackmount computers brings solid state reliability, and silent, fanless operation to your unique application.

logicsupply.com/fanless-rackmounts/

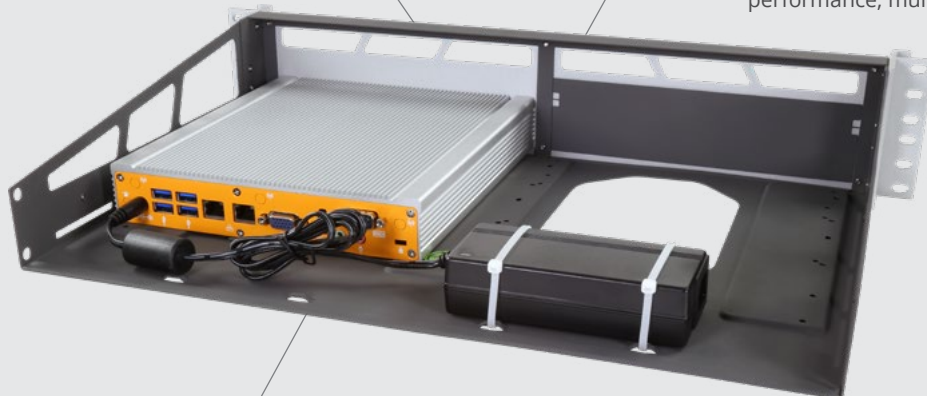


Function Meets Form

Designed to enable our fanless systems to be installed in your existing rackmount infrastructure, the MK020 Series lets you choose your ideal hardware solution.

Room to Grow

The unique design of the MK020 Series allows you to install two small form factor fanless systems side by side, enabling high performance, multi-board computing.



A More Reliable Rackmount

Passively cooled without the use of failure-prone fans, our fanless rackmount systems help ensure long lasting performance and reduce maintenance costs.

US Office

Phone: +1 802 861 2300
Email: info@logicsupply.com
www.logicsupply.com

EU Office

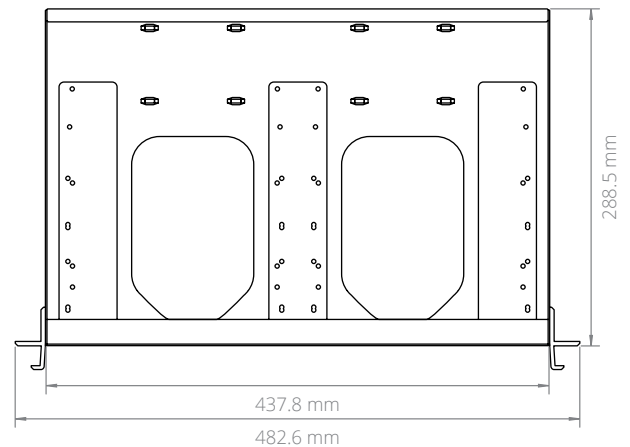
Phone: +31 85 2733760
Email: info@logicsupply.eu
www.logicsupply.com

Specifications

Front I/O	2 USB 2.0 ports Power button 2 RS-232 COM ports (Optional)	Memory Type	DDR3L SO-DIMM (non-ECC)
Rear I/O	4 USB 3.0 ports 2 Gb LAN ports 1 VGA port 1 HDMI port 2 Audio jacks; line-out, mic-in 1 RS-232/422/485 COM Port 1 DC Jack	Memory Capacity	Up to 8 GB
Processor	Intel Celeron N3150	Memory Speed	1600, 1333 MHz
Processor Speed	1.6 GHz	LAN Controller	Realtek RT8111G
Processor Generation	Braswell	Input Voltage	12 V / 19 ~ 24 V
Processor Cores	4	Power Input	DC jack
Graphics/GPU	Intel HD Graphics	Operating Temp. Range	0°C ~ 55°C
		Dimensions (WxHxD)	482.6 x 88.9 x 288.5 mm
		Case Material	Steel With Aluminum Extrusion

Dimensional Drawings

All measurements in mm



US Office

Phone: +1 802 861 2300
Email: info@logicsupply.com
www.logicsupply.com

EU Office

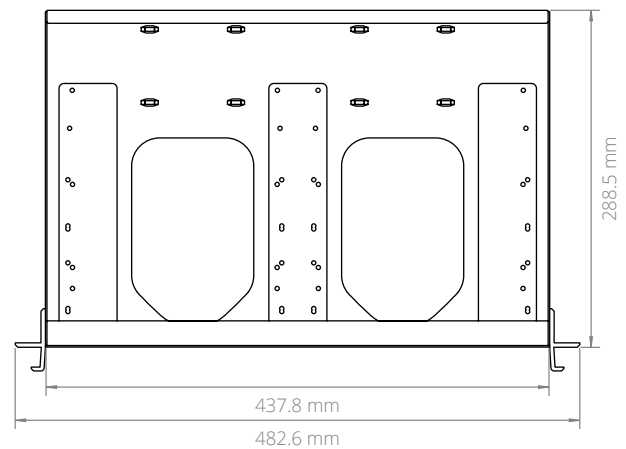
Phone: +31 85 2733760
Email: info@logicsupply.eu
www.logicsupply.com

Specifications

Front I/O	2 USB 2.0 ports Power button	Graphics/GPU	Intel HD Graphics
Rear I/O	1 HDMI port 1 DisplayPort 1 DVI-I port 4 USB 3.0 ports 2 Gb LAN ports 3 RS-232/422/485 COM ports 2 Audio jacks; line-out, mic-in 1 DC Jack	Memory Type	DDR3 SO-DIMM (non-ECC)
Processor	Intel Celeron, Pentium, Core i3	Memory Capacity	Up to 16 GB
Processor Speed	Configuration Dependent	Memory Speed	1600 MHz
Processor Generation	Haswell	LAN Controller	Intel I210 GbE Intel I217LM GbE with Intel AMT
Processor Cores	2	Input Voltage	12 V
		Power Input	DC jack
		Operating Temp. Range	0°C ~ 45°C
		Dimensions (WxHxD)	482.6 x 88.9 x 288.5 mm
		Case Material	Steel With Aluminum Extrusion

Dimensional Drawings

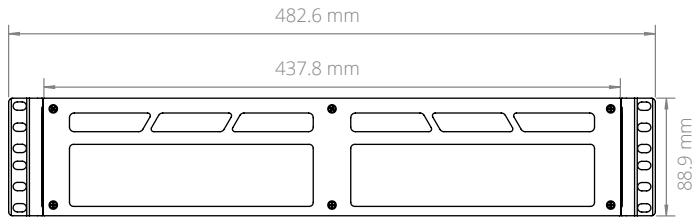
All measurements in mm



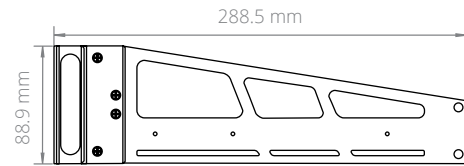
MK020 Dimensional Drawings

Fanless Rackmount Adapter

All measurements in mm

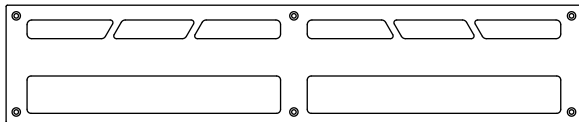


FRONT

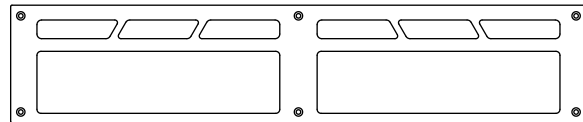


SIDE

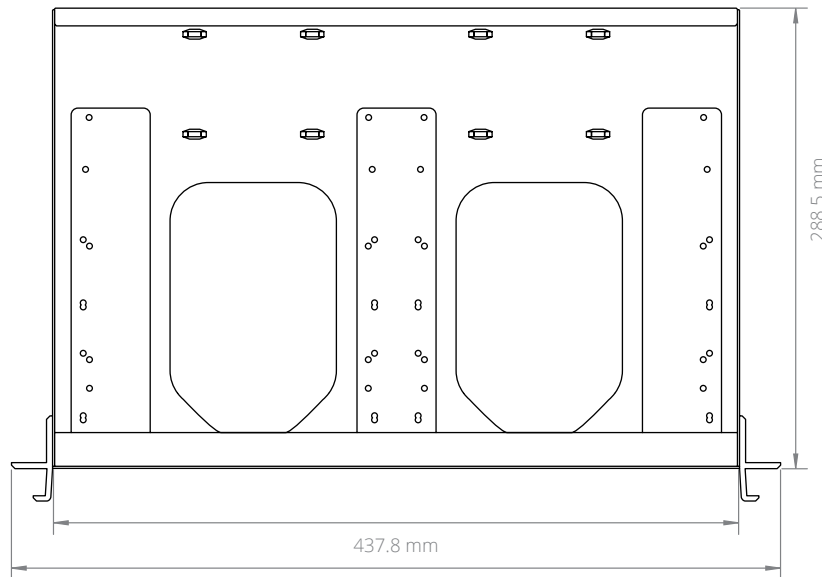
** Two front plate styles accomodate Logic Supply fanless chassis'*



ML200, ML300, ML310, ML320, ML220



ML250, ML400, ML450



TOP

