



Advanced Thin Mini-ITX.

The ideal combination of size and performance, the ML200 Series wraps Thin Mini-ITX computing in a highly versatile, industrial enclosure.

logicsupply.com/ml200-series/



Low Profile Design

With its ultra-thin profile and solid state storage, the ML200 Series can be mounted where and how you need it.



Dependable Performance

Unlike other energy-efficient systems that struggle with processing-intensive tasks, the ML200 Series was built with versatility in mind and features powerful Intel processing.

Industrial Connectivity

Despite measuring less than 1.5" tall, the ML200 Series provides the industrial connectivity today's commercial applications demand.

US Office

Phone: +1 802 861 2300
Email: info@logicsupply.com
www.logicsupply.com

EU Office

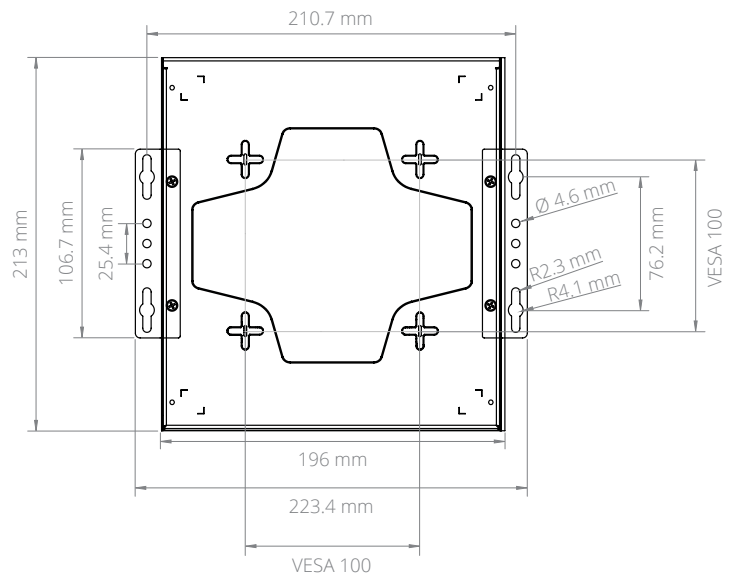
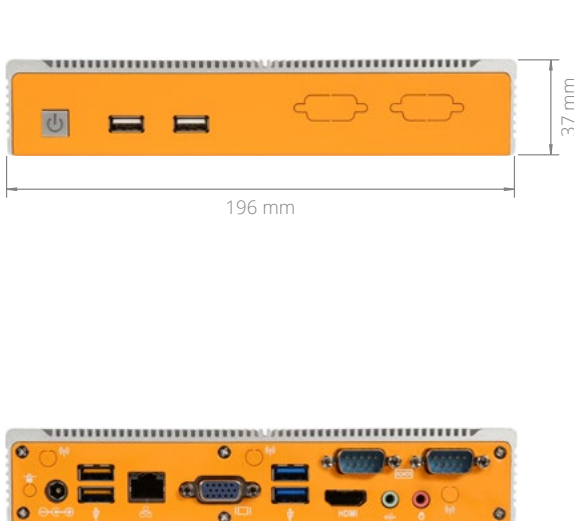
Phone: +31 85 2733760
Email: info@logicsupply.eu
www.logicsupply.com

Specifications

Front I/O	2 USB 2.0 ports Power button	Memory Type	DDR3L SO-DIMM (non-ECC)
Rear I/O	2 USB 2.0 high current ports 2 USB 3.0 ports 2 RS-232 COM ports 1 VGA port 1 HDMI port 1 Gb LAN port 2 Audio jacks; line-out, mic-in 1 DC jack	Memory Capacity	Up to 8 GB
Processor	Intel Celeron J1900	Memory Speed	1066, 1333 MHz
Processor Speed	2 GHz	LAN Controller	Realtek RT8111G-CG
Processor Generation	Bay Trail	Input Voltage	8 ~ 19 V
Processor Cores	4	Power Input	DC jack
Graphics/GPU	Intel HD Graphics	Operating Temp. Range	0°C ~ 55°C
		Dimensions (WxHxD)	196 x 37 x 213 mm
		Case Material	Steel With Aluminum Extrusion
		Mounting	DIN-mount, VESA MIS-D 100 mount, Wall-mount

Dimensional Drawings

All measurements in mm

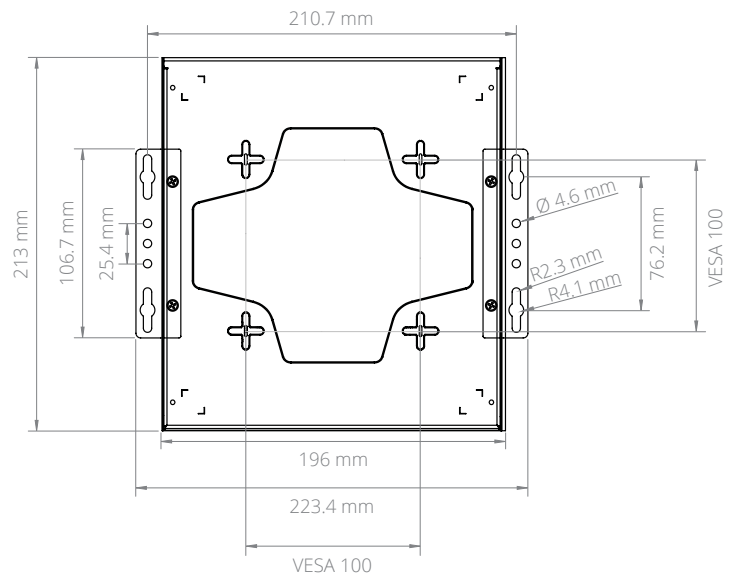
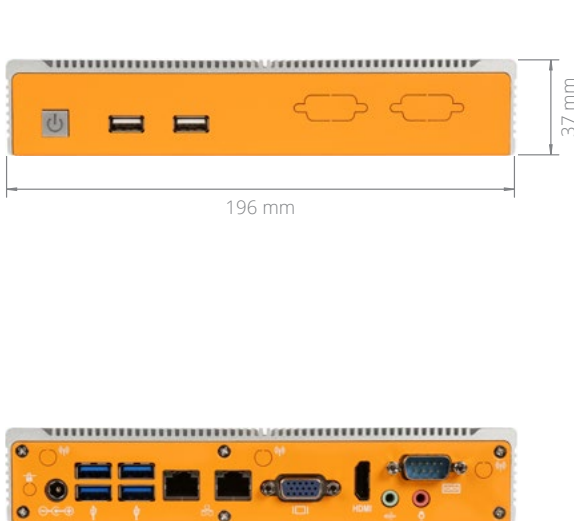


Specifications

Front I/O	2 USB 2.0 ports Power button 2 RS-232 COM ports	Memory Type	DDR3L SO-DIMM (non-ECC)
Rear I/O	4 USB 3.0 ports 2 Gb LAN ports 1 VGA port 1 HDMI port 2 Audio jacks; line-out, mic-in 1 RS-232/422/485 COM Port 1 DC jack	Memory Capacity	Up to 8 GB
Processor	Intel Celeron N3150	Memory Speed	1333, 1600 MHz
Processor Speed	1.6 GHz	LAN Controller	Realtek RT8111G
Processor Generation	Braswell	Input Voltage	12 V
Processor Cores	4	Power Input	DC jack
Graphics/GPU	Intel HD Graphics	Operating Temp. Range	0°C ~ 55°C
		Dimensions (WxHxD)	196 x 37 x 213 mm
		Case Material	Steel With Aluminum Extrusion
		Mounting	DIN-mount, VESA MIS-D 100 mount, Wall-mount

Dimensional Drawings

All measurements in mm

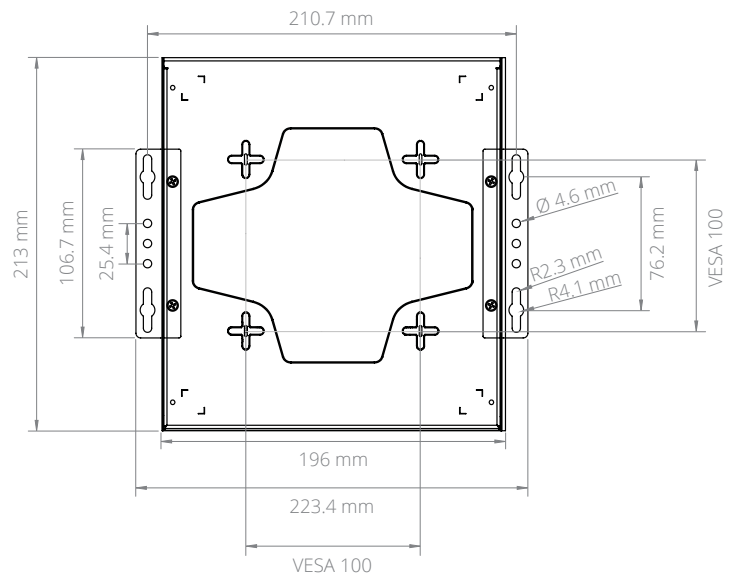
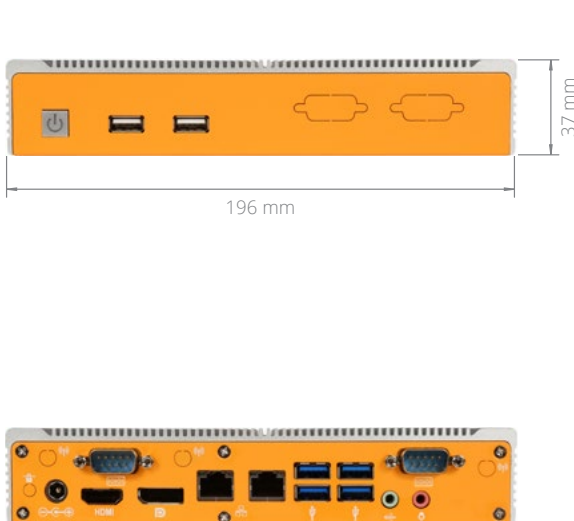


Specifications

Front I/O	2 USB 2.0 ports 2 RS-232 COM ports Power button	Memory Type	DDR3L SO-DIMM (non-ECC)
Rear I/O	4 USB 3.0 ports 2 RS-232/422/485 COM ports 1 DisplayPort 1 HDMI port 2 Gb LAN ports 2 Audio jacks; line-out, mic-in 1 DC jack	Memory Capacity	Up to 16 GB
Processor	Intel i5-4300U	Memory Speed	1600 MHz
Processor Speed	1.9 GHz	LAN Controller	Realtek RT8111G
Processor Generation	Haswell	Input Voltage	9 ~ 19 V
Processor Cores	2	Power Input	DC jack
Graphics/GPU	Intel HD Graphics	Operating Temp. Range	0°C ~ 50°C
		Dimensions (WxHxD)	196 x 37 x 213 mm
		Case Material	Steel With Aluminum Extrusion
		Mounting	DIN-mount, VESA MIS-D 100 mount, Wall-mount

Dimensional Drawings

All measurements in mm



ML210 Dimensional Drawings

Industrial Fanless Computer

All measurements in mm

