



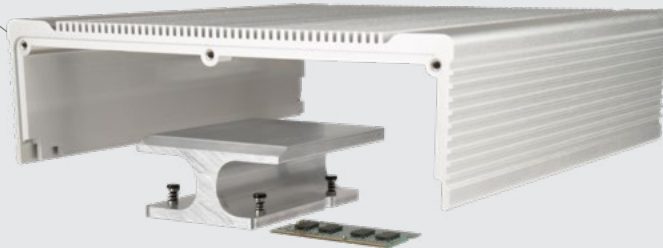
Industrial Mini-ITX.

The ML400 Series features systems with the balance of industrial design, connectivity and performance that modern businesses demand.

logicsupply.com/ml400-series/ 

High Performance, Solid State Computing

The ML400 Series provides ultra-reliable, high performance computing in a hardened enclosure designed to stand up to rigors of the industrial work space.



Maximum Connectivity, Minimum Footprint

With a variety of industrial I/O and the ability to run multiple HD displays, the ML400 Series offers powerful functionality in an extremely compact Mini-ITX form factor.



Set-It-And-Forget-It Computing

Configured with SSD storage, the ML400 Series is a fully solid state solution that offers exceptional reliability and performance.

US Office

Phone: +1 802 861 2300
Email: info@logicsupply.com
www.logicsupply.com

EU Office

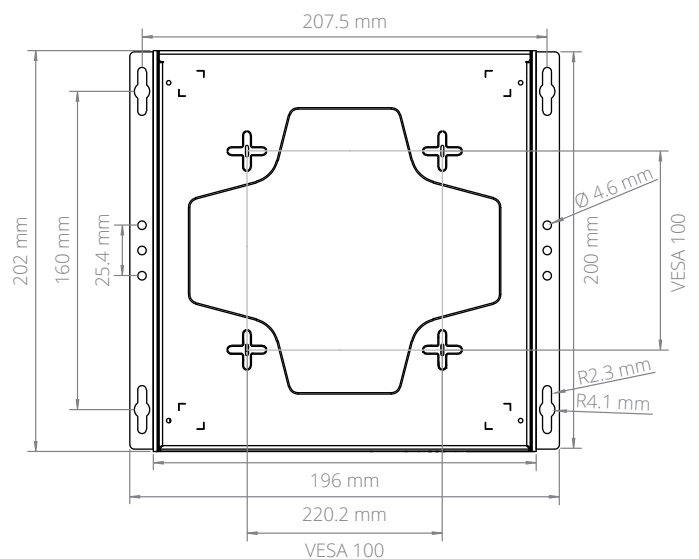
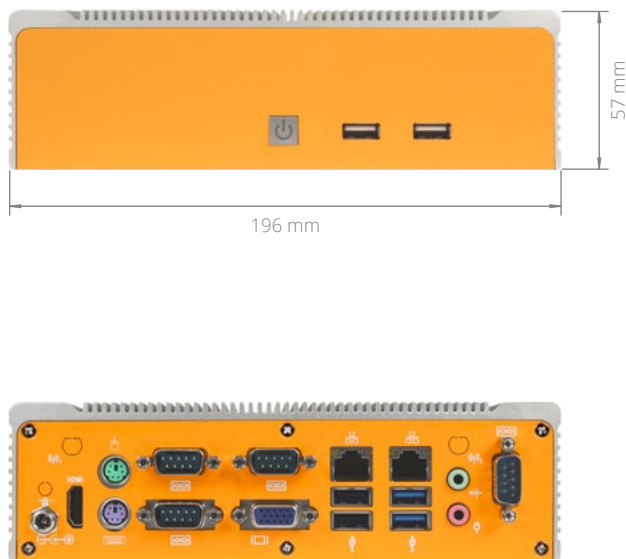
Phone: +31 85 2733760
Email: info@logicsupply.eu
www.logicsupply.com

Specifications

Front I/O	2 USB 2.0 ports Power button	Graphics/GPU	Intel HD Graphics
Rear I/O	1 HDMI port 1 VGA port 2 Gb LAN ports 3 COM ports (RS-232/422/485) 1 COM port (RS-232) 2 USB 3.0 ports 2 USB 2.0 ports 1 PS2 keyboard port 1 PS2 mouse port 2 Audio jacks: line-out, mic-in 1 DC jack	Memory Type	DDR3L SO-DIMM (non-ECC)
Processor	Intel Celeron J1900	Memory Capacity	Up to 8 GB
Processor Speed	2 GHz	Memory Speed	1333 MHz
Processor Generation	Bay Trail	LAN Controller	Realtek RT8111G-CG
Processor Cores	4	Input Voltage	9 ~ 19 V
		Power Input	DC jack
		Operating Temp. Range	0°C ~ 50°C
		Dimensions (WxHxD)	196 x 57 x 202 mm
		Case Material	Steel With Aluminum Extrusion
		Mounting	DIN-mount, VESA MIS-D 100 mount, Wall-mount

Dimensional Drawings

All measurements in mm

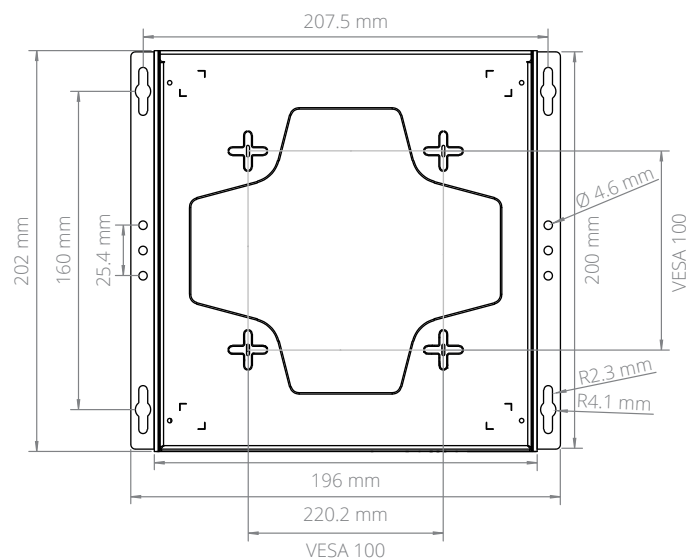


Specifications

Front I/O	2 USB 2.0 ports Power button	Memory Type	DDR3L SO-DIMM (non-ECC)
Rear I/O	1 HDMI port 1 DisplayPort 4 USB 3.0 ports 2 Gb LAN ports 2 RS-232/422/485 COM ports 2 RS-232 COM ports 2 Audio jacks; line-out, mic-in 1 DC jack	Memory Capacity	Up to 16 GB
Processor	Intel i5-4300U	Memory Speed	1600, 1333 MHz
Processor Speed	1.9 GHz	LAN Controller	Intel I218LM GbE with AMT Realtek RT8111G
Processor Generation	Haswell	Input Voltage	9 ~ 19 V
Processor Cores	2	Power Input	DC jack
Graphics/GPU	Intel HD Graphics	Operating Temp. Range	0°C ~ 50°C
		Dimensions (WxHxD)	196 x 57 x 202 mm
		Case Material	Steel With Aluminum Extrusion
		Mounting	DIN-mount, VESA MIS-D 100 mount, Wall-mount

Dimensional Drawings

All measurements in mm

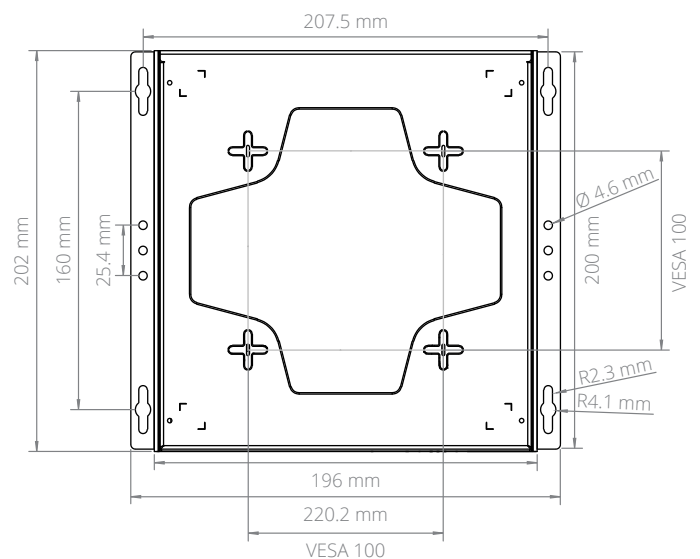
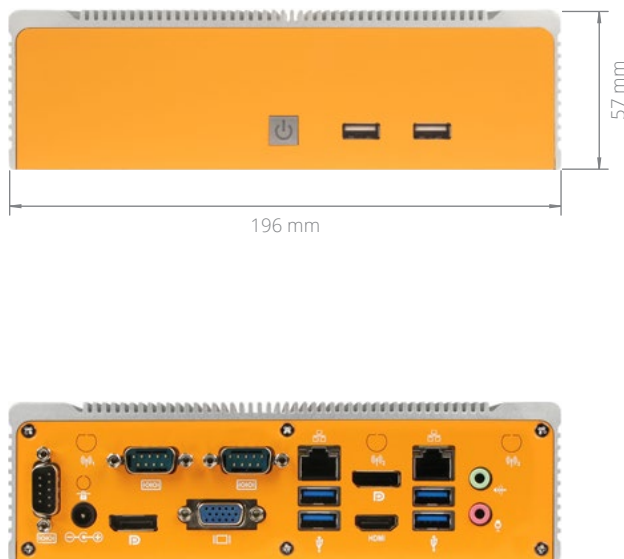


Specifications

Front I/O	2 USB 2.0 ports Power button	Memory Type	DDR3 SO-DIMM (non-ECC)
Rear I/O	1 HDMI port 2 DisplayPort 1 VGA port 4 USB 3.0 ports 2 Gb LAN ports 2 RS-232/422/485 COM ports 1 RS-232 COM port 2 Audio jacks; line-out, mic-in 1 DC jack	Memory Capacity	Up to 16 GB
Processor	Intel Core i3-4000M	Memory Speed	1600 MHz
Processor Speed	2.4 GHz	LAN Controller	Intel I210 GbE Intel I217LM GbE with Intel AMT
Processor Generation	Haswell	Input Voltage	12 ~ 19 V
Processor Cores	2	Power Input	DC jack
Graphics/GPU	Intel HD Graphics	Operating Temp. Range	0°C ~ 40°C
		Dimensions (WxHxD)	196 x 57 x 202 mm
		Case Material	Steel With Aluminum Extrusion
		Mounting	DIN-mount, VESA MIS-D 100 mount, Wall-mount

Dimensional Drawings

All measurements in mm

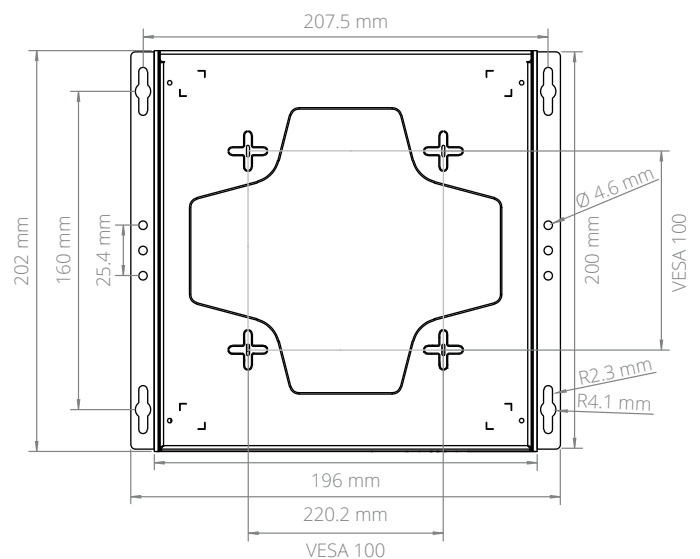
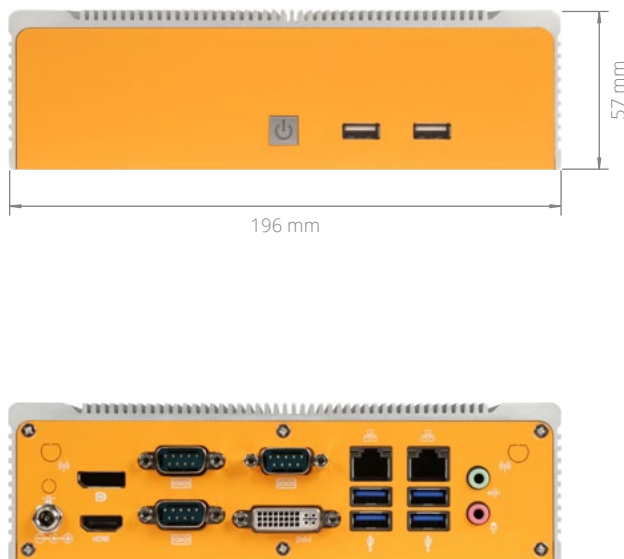


Specifications

Front I/O	2 USB 2.0 ports Power button	Memory Type	DDR3 SO-DIMM (non-ECC)
Rear I/O	1 HDMI port 1 DisplayPort 1 DVI-I port 4 USB 3.0 ports 2 Gb LAN ports 3 RS-232/422/485 COM ports 2 Audio jacks; line-out, mic-in 1 DC jack	Memory Capacity	Up to 16 GB
Processor	Intel Celeron, Pentium, Core i3	Memory Speed	1600 MHz
Processor Speed	Configuration Dependent	LAN Controller	Intel I210 GbE Intel I217LM GbE with Intel AMT
Processor Generation	Haswell	Input Voltage	12 V
Processor Cores	2	Power Input	DC jack
Graphics/GPU	Intel HD Graphics	Operating Temp. Range	0°C ~ 45°C
		Dimensions (WxHxD)	196 x 57 x 202 mm
		Case Material	Steel With Aluminum Extrusion
		Mounting	DIN-mount, VESA MIS-D 100 mount, Wall-mount

Dimensional Drawings

All measurements in mm

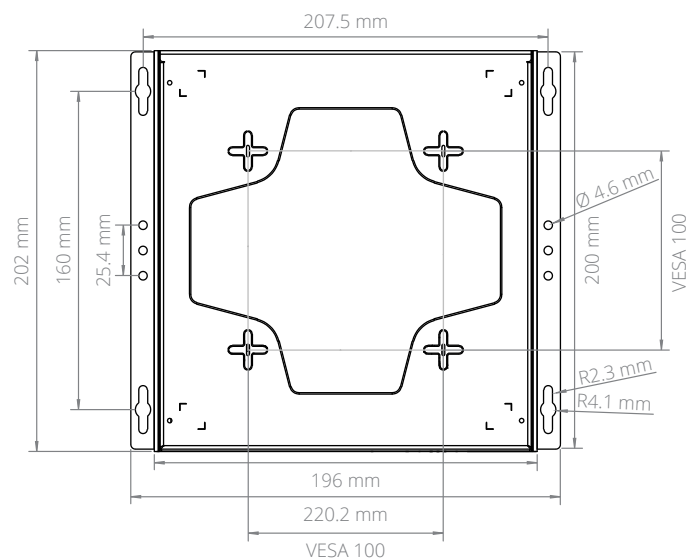
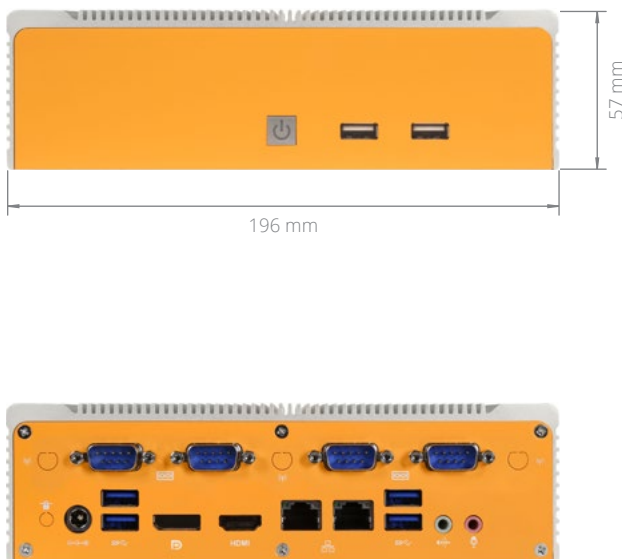


Specifications

Front I/O	2 USB 2.0 ports Power button	Memory Capacity	Up to 32 GB
Rear I/O	1 HDMI port 1 DisplayPort 2 Gb LAN ports 4 COM ports (optional) 4 USB 3.0 ports 2 Audio jacks; line-out, mic-in	Memory Speed	2133 MHz
Processor	Intel Celeron, Pentium, Core i3	LAN Controller	Intel I210 GbE Intel I219 GbE
Processor Speed	2.3 ~ 3.3 GHz	Input Voltage	12 V
Processor Generation	Kaby Lake Skylake	Power Input	DC jack
Processor Cores	2	Operating Temp. Range	0 ~ 45°C
Graphics/GPU	Intel HD Graphics	Dimensions (WxHxD)	196 x 57 x 202 mm
Memory Type	DDR4 SO-DIMM (non-ECC)	Case Material	Steel With Aluminum Extrusion
		Mounting Options	DIN-mount VESA-mount Wall-mount

Dimensional Drawings

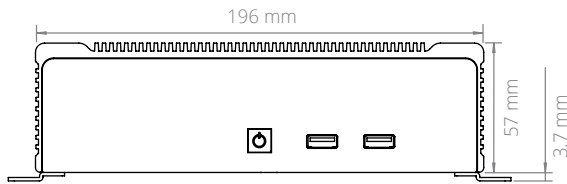
All measurements in mm



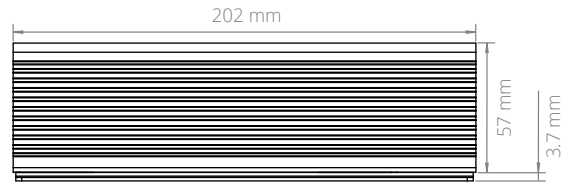
ML400 Dimensional Drawings

Fanless Mini-ITX Case

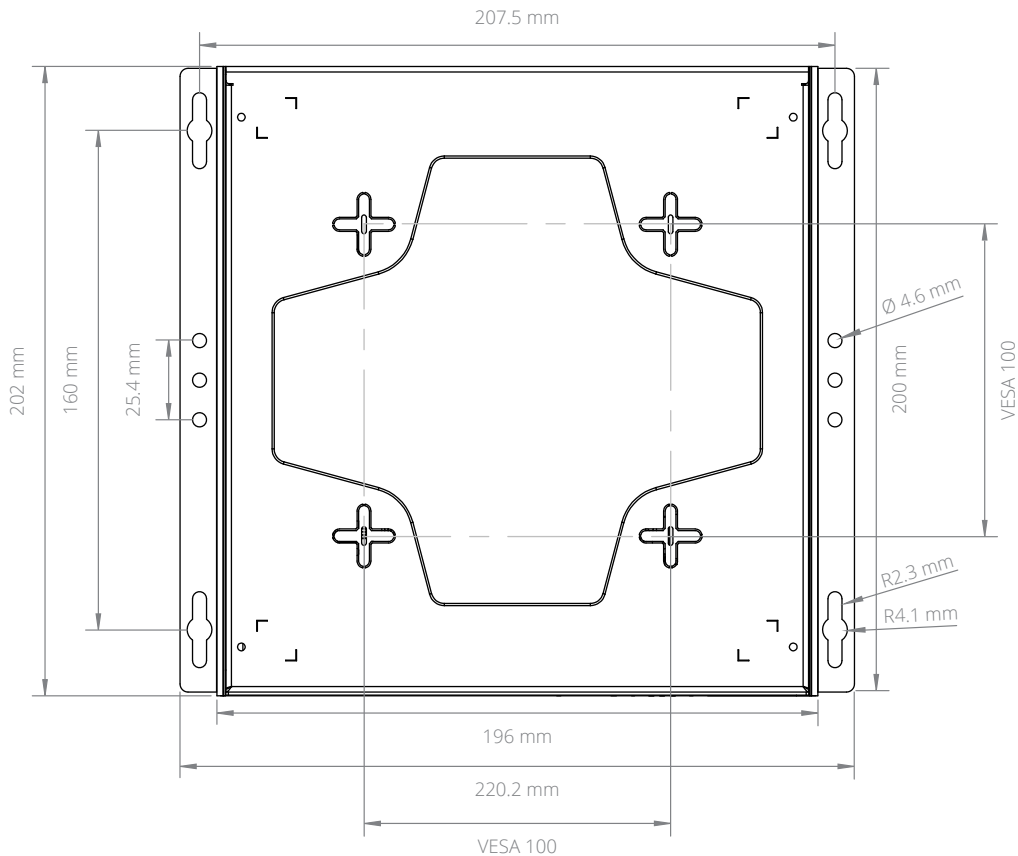
All measurements in mm



FRONT



SIDE



BOTTOM

