



Industrial Mini-ITX.

The ML400 Series features systems with the balance of industrial design, connectivity and performance that modern businesses demand.

logicsupply.com/ml400-series/ 

High Performance, Solid State Computing

The ML400 Series provides ultra-reliable, high performance computing in a hardened enclosure designed to stand up to rigors of the industrial work space.



Maximum Connectivity, Minimum Footprint

With a variety of industrial I/O and the ability to run multiple HD displays, the ML400 Series offers powerful functionality in an extremely compact Mini-ITX form factor.



Set-It-And-Forget-It Computing

Configured with SSD storage, the ML400 Series is a fully solid state solution that offers exceptional reliability and performance.

US Office

Phone: +1 802 861 2300
Email: info@logicsupply.com
www.logicsupply.com

EU Office

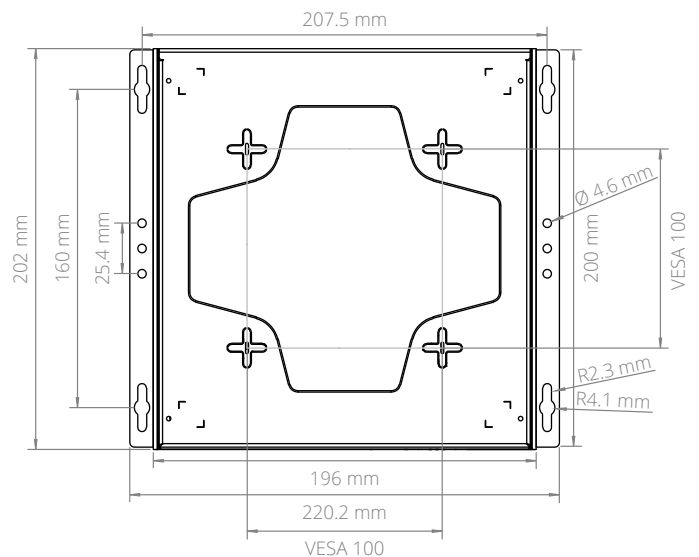
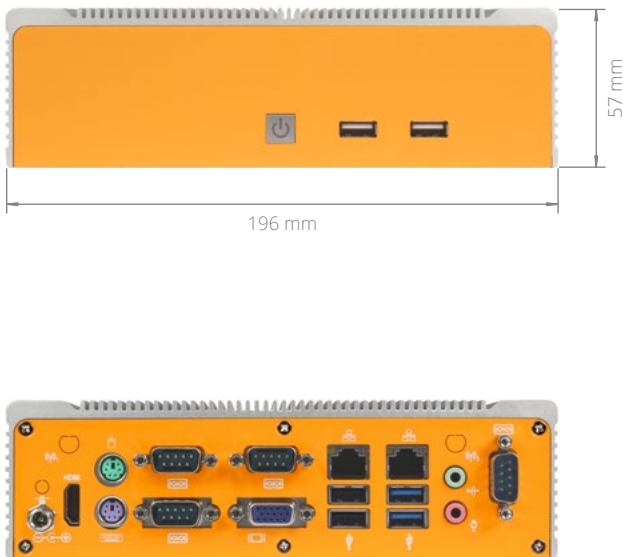
Phone: +31 85 2733760
Email: info@logicsupply.eu
www.logicsupply.com

Specifications

Front I/O	2 USB 2.0 ports Power button	Graphics/GPU	Intel HD Graphics
Rear I/O	1 HDMI port 1 VGA port 2 Gb LAN ports 3 COM ports (RS-232/422/485) 1 COM port (RS-232) 2 USB 3.0 ports 2 USB 2.0 ports 1 PS2 keyboard port 1 PS2 mouse port 2 Audio jacks: line-out, mic-in 1 DC jack	Memory Type	DDR3L SO-DIMM (non-ECC)
Processor	Intel Celeron J1900	Memory Capacity	Up to 8 GB
Processor Speed	2 GHz	Memory Speed	1333 MHz
Processor Generation	Bay Trail	LAN Controller	Realtek RT8111G-CG
Processor Cores	4	Input Voltage	9 ~ 19 V
		Power Input	DC jack
		Operating Temp. Range	0°C ~ 50°C
		Dimensions (WxHxD)	196 x 57 x 202 mm
		Case Material	Steel With Aluminum Extrusion
		Mounting	DIN-mount, VESA MIS-D 100 mount, Wall-mount

Dimensional Drawings

All measurements in mm

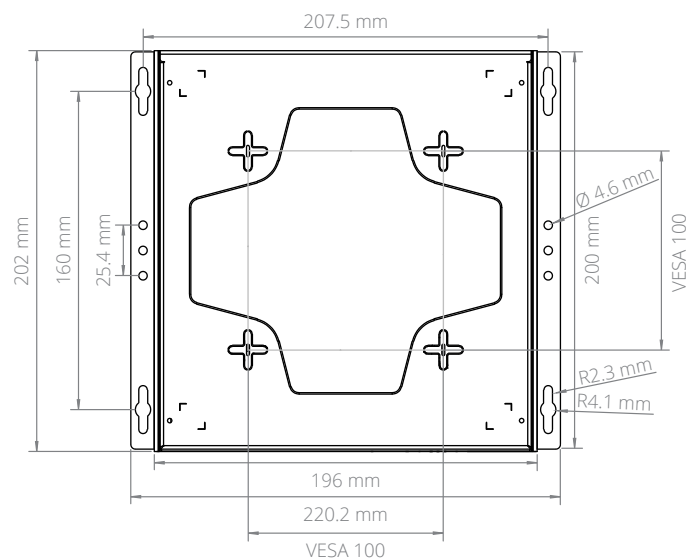
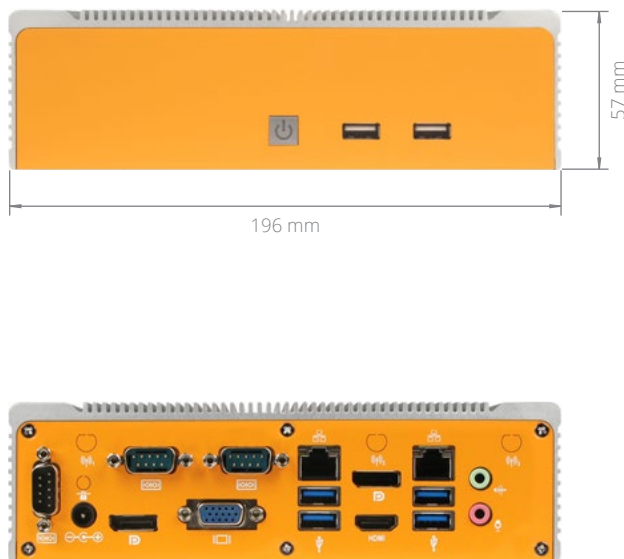


Specifications

Front I/O	2 USB 2.0 ports Power button	Memory Type	DDR3 SO-DIMM (non-ECC)
Rear I/O	1 HDMI port 2 DisplayPort 1 VGA port 4 USB 3.0 ports 2 Gb LAN ports 2 RS-232/422/485 COM ports 1 RS-232 COM port 2 Audio jacks; line-out, mic-in 1 DC jack	Memory Capacity	Up to 16 GB
Processor	Intel Core i3-4000M	Memory Speed	1600 MHz
Processor Speed	2.4 GHz	LAN Controller	Intel I210 GbE Intel I217LM GbE with Intel AMT
Processor Generation	Haswell	Input Voltage	12 ~ 19 V
Processor Cores	2	Power Input	DC jack
Graphics/GPU	Intel HD Graphics	Operating Temp. Range	0°C ~ 40°C
		Dimensions (WxHxD)	196 x 57 x 202 mm
		Case Material	Steel With Aluminum Extrusion
		Mounting	DIN-mount, VESA MIS-D 100 mount, Wall-mount

Dimensional Drawings

All measurements in mm

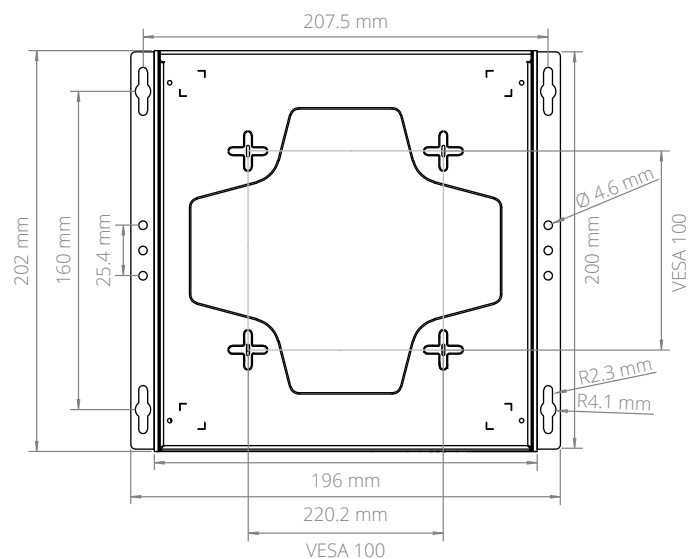
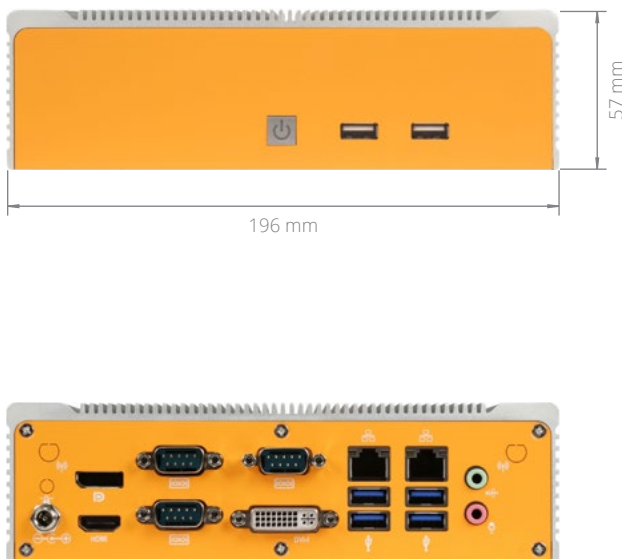


Specifications

Front I/O	2 USB 2.0 ports Power button	Memory Type	DDR3 SO-DIMM (non-ECC)
Rear I/O	1 HDMI port 1 DisplayPort 1 DVI-I port 4 USB 3.0 ports 2 Gb LAN ports 3 RS-232/422/485 COM ports 2 Audio jacks; line-out, mic-in 1 DC jack	Memory Capacity	Up to 16 GB
Processor	Intel Celeron, Pentium, Core i3/i5	Memory Speed	1600 MHz
Processor Speed	Configuration Dependent	LAN Controller	Intel I210 GbE Intel I217LM GbE with Intel AMT
Processor Generation	Haswell	Input Voltage	12 V
Processor Cores	2	Power Input	DC jack
Graphics/GPU	Intel HD Graphics	Operating Temp. Range	0°C ~ 45°C
		Dimensions (WxHxD)	196 x 57 x 202 mm
		Case Material	Steel With Aluminum Extrusion
		Mounting	DIN-mount, VESA MIS-D 100 mount, Wall-mount

Dimensional Drawings

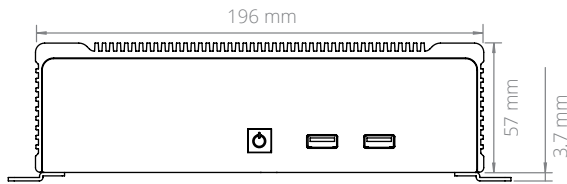
All measurements in mm



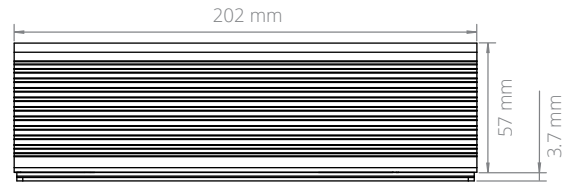
ML400 Dimensional Drawings

Fanless Mini-ITX Case

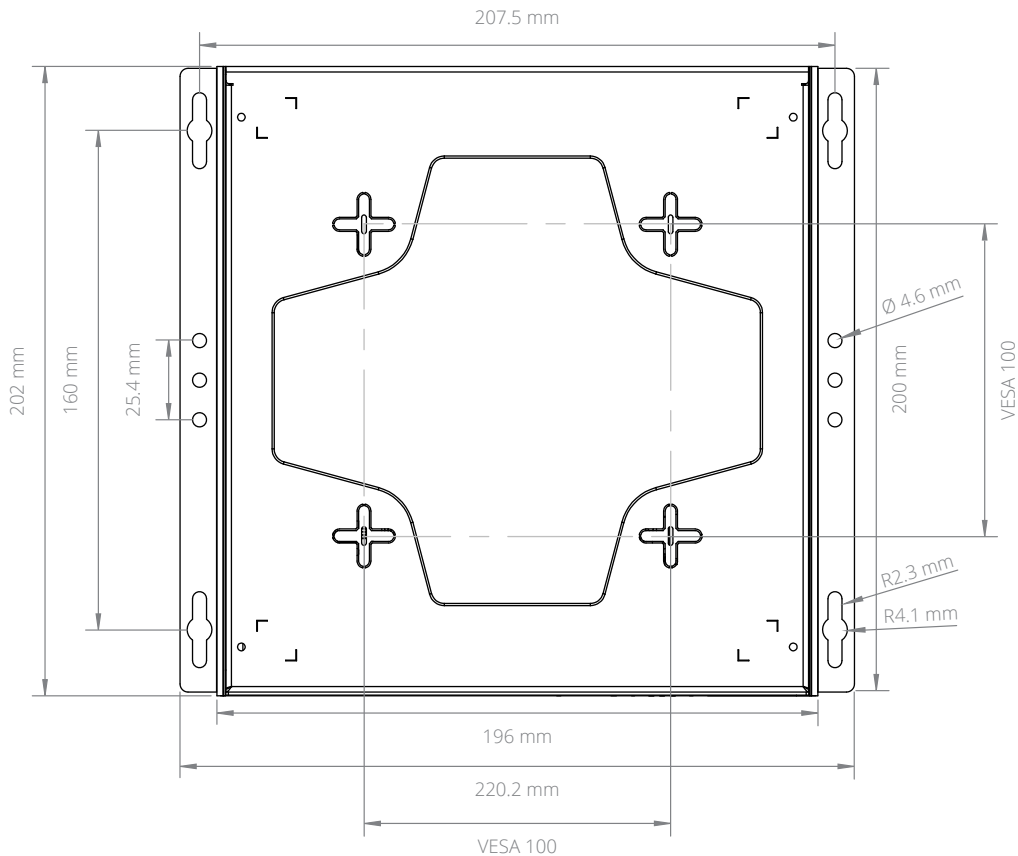
All measurements in mm



FRONT



SIDE



BOTTOM

