



Industrial Mini-ITX.

The ML450 features systems with the balance of industrial design, connectivity and performance that modern businesses demand.

logicsupply.com/ml400-series/ 

Interface With Anything

The ML450 has been configured to offer a range of connectivity options. Choose the configuration that matches your application.



Demand Reliability

Combining functional, yet attractive, efficient designs with a fanless and ventless chassis, as well as our proprietary passive cooling solutions, Hardshell™ Fanless Technology increases the life and durability of our industrial computers.

Do More, Worry Less

A variety of powerful Intel processors and a fanless, ventless enclosure combine to make the ML450 a highly-capable, ultra-reliable industrial PC.

US Office

Phone: +1 802 861 2300
Email: info@logicsupply.com
www.logicsupply.com

EU Office

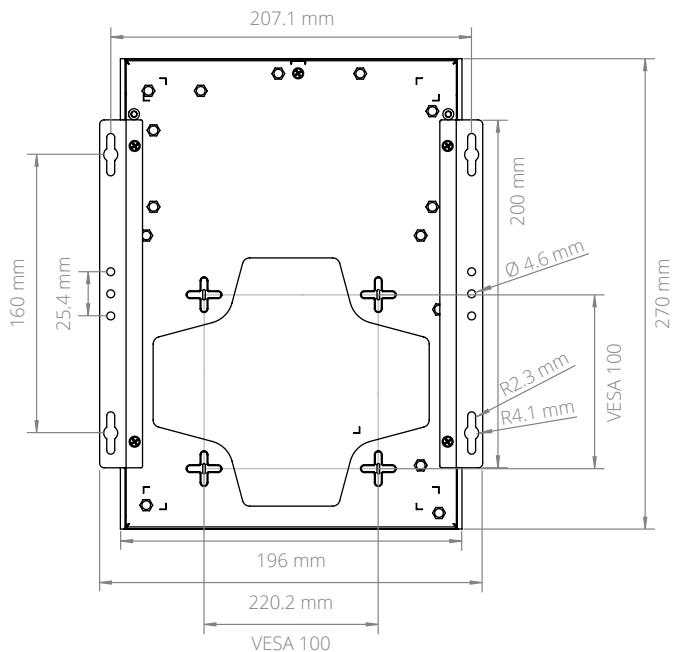
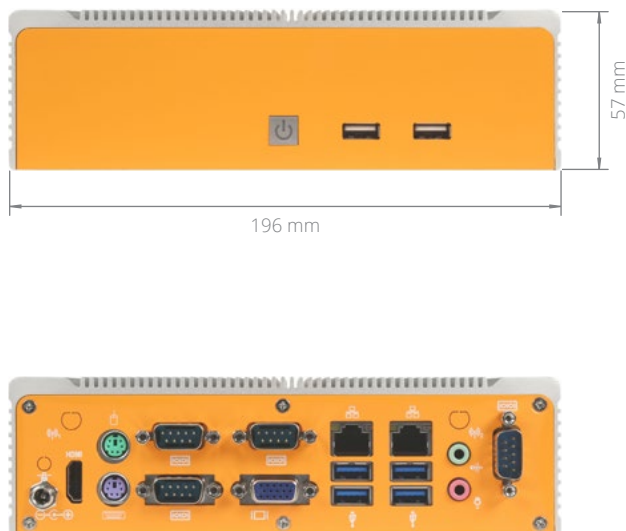
Phone: +31 85 2733760
Email: info@logicsupply.eu
www.logicsupply.com

Specifications

Front I/O	2 USB 2.0 ports Power button	Graphics/GPU	Intel HD Graphics
Rear I/O	1 HDMI port 1 VGA port 2 Gb LAN ports 2 COM ports (RS-232/422/485) 2 COM ports (RS-232) 4 USB 3.0 ports 1 PS2 keyboard port 1 PS2 Mouse port 2 Audio jacks: line-out, mic-in 1 DC jack	Memory Type	DDR3L SO-DIMM (non-ECC)
Processor	Intel Celeron N3160	Memory Capacity	Up to 8 GB
Processor Speed	1.6 GHz	Memory Speed	1600 MHz
Processor Generation	Braswell	LAN Controller	Realtek RT8111G
Processor Cores	4	Input Voltage	12 V or 19 ~ 24 V
		Power Input	DC jack
		Operating Temp. Range	0°C ~ 50°C
		Dimensions (WxHxD)	196 x 57 x 270 mm
		Case Material	Steel With Aluminum Extrusion
		Mounting	DIN-mount, VESA MIS-D 100 mount, Wall-mount

Dimensional Drawings

All measurements in mm

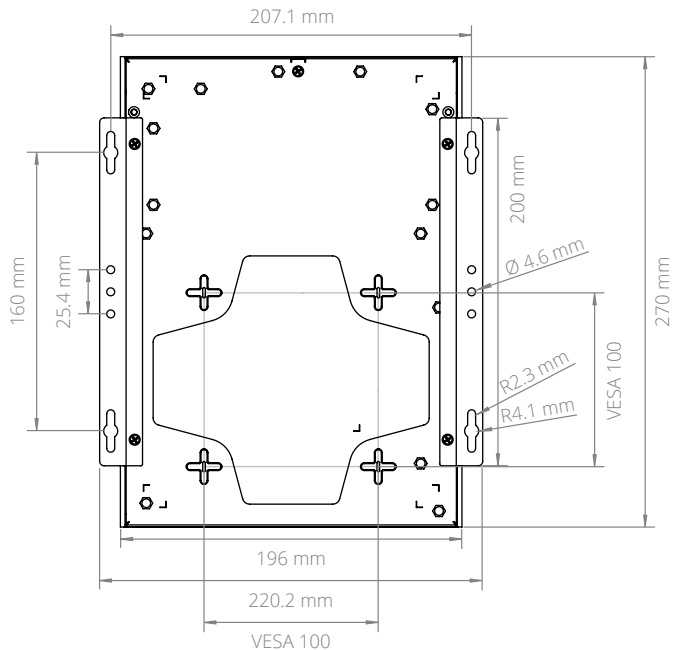
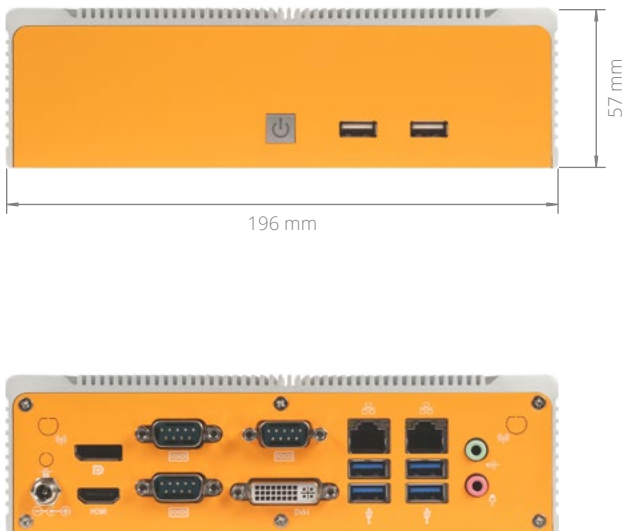


Specifications

Front I/O	2 USB 2.0 ports Power button	Memory Type	DDR3 SO-DIMM (non-ECC)
Rear I/O	1 HDMI port 1 DisplayPort 1 DVI-I port 4 USB 3.0 ports 2 Gb LAN ports 3 RS-232/422/485 COM ports 2 Audio jacks; line-out, mic-in 1 DC Jack	Memory Capacity	Up to 16 GB
Processor	Intel Celeron, Pentium, Core i3/i5	Memory Speed	1600 MHz
Processor Speed	Configuration Dependent	LAN Controller	Intel I210 GbE Intel I217LM GbE with Intel AMT
Processor Generation	Haswell	Input Voltage	12 V
Processor Cores	2	Power Input	DC jack
Graphics/GPU	Intel HD Graphics	Operating Temp. Range	0°C ~ 40°C
		Dimensions (WxHxD)	196 x 57 x 270 mm
		Case Material	Steel With Aluminum Extrusion
		Mounting	DIN-mount, VESA MIS-D 100 mount, Wall-mount

Dimensional Drawings

All measurements in mm

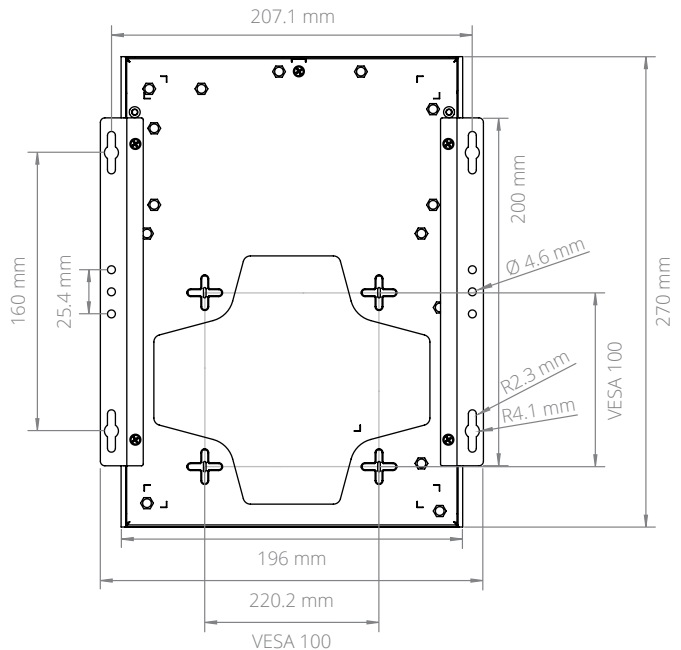


Specifications

Front I/O	2 USB 2.0 ports Power button	Memory Type	DDR4 SO-DIMM (non-ECC)
Rear I/O	3 HDMI ports 2 Gb LAN ports 4 USB 3.0 ports 2 RS-232/422/485 COM ports 1 RS-232 COM port 1 VGA port 2 Audio jacks; line-out, mic-in	Memory Capacity	Up to 32 GB
Processor	Intel Celeron, Pentium, Core i3/i5	Memory Speed	2133 MHz
Processor Speed	Configuration Dependent	LAN Controller	Intel I210 GbE Intel I219LM
Processor Generation	Skylake	Input Voltage	12 V or 19 ~ 24 V
Processor Cores	Configuration Dependent	Power Input	DC jack
Graphics/GPU	Intel HD Graphics 510 Intel HD Graphics 530 (Processor Dependent)	Operating Temp. Range	0°C ~ 40°C
		Dimensions (WxHxD)	196 x 57 x 270 mm
		Case Material	Steel With Aluminum Extrusion
		Mounting	DIN-mount, VESA MIS-D 100 mount, Wall-mount

Dimensional Drawings

All measurements in mm



US Office

Phone: +1 802 861 2300
Email: info@logicsupply.com
www.logicsupply.com

EU Office

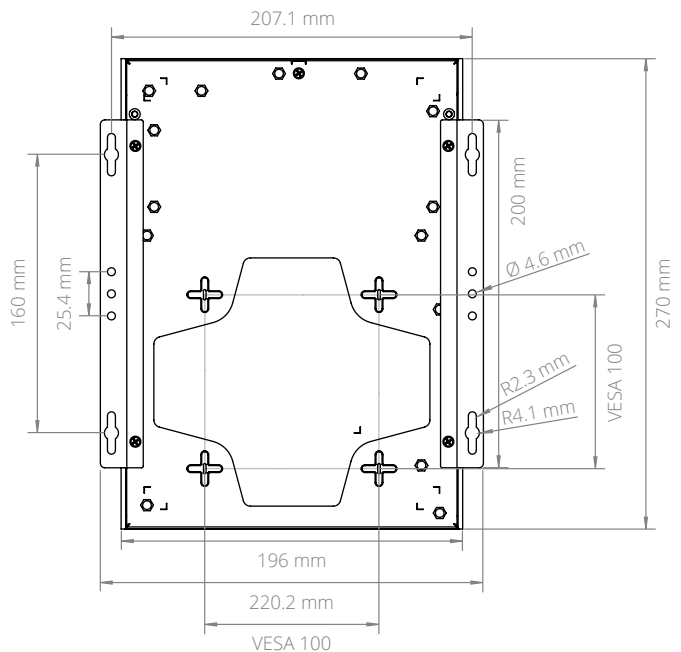
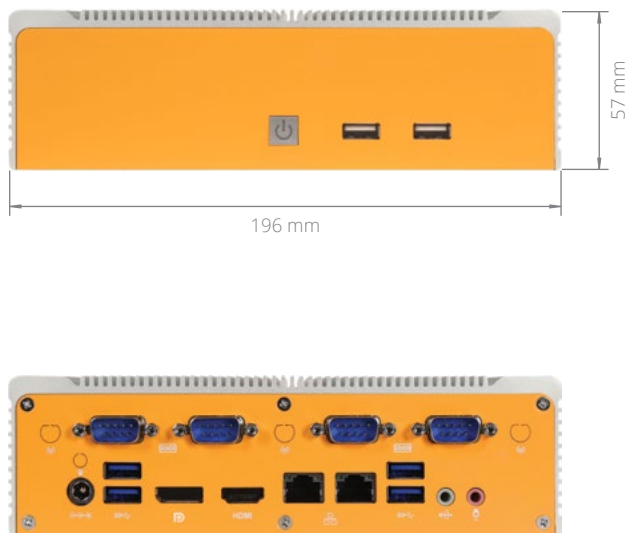
Phone: +31 85 2733760
Email: info@logicsupply.eu
www.logicsupply.com

Specifications

Front I/O	2 USB 2.0 ports Power button	Memory Type	DDR4 SO-DIMM (non-ECC)
Rear I/O	1 HDMI port 1 DisplayPort 2 Gb LAN ports 4 USB 3.0 ports 2 Audio jacks; line-out, mic-in 4 Additional RS-232 COM ports (optional) 2 Additional Gbe LAN ports (optional)	Memory Capacity	Up to 32 GB
Processor	Intel Celeron, Pentium, Core i3	Memory Speed	2133 MHz
Processor Speed	2.3 ~ 3.3 GHz	LAN Controller	Intel I210 GbE Intel I219 GbE
Processor Generation	Skylake	Input Voltage	12 V
Processor Cores	2	Power Input	DC jack
Graphics/GPU	Intel HD Graphics	Operating Temp. Range	0 ~ 45°C
		Dimensions (WxHxD)	196 x 57 x 270 mm
		Case Material	Steel With Aluminum Extrusion
		Mounting Options	DIN-mount, VESA MIS-D 100 mount, Wall-mount

Dimensional Drawings

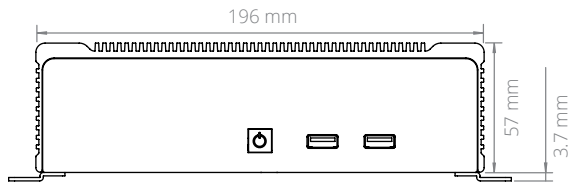
All measurements in mm



ML450 Dimensional Drawings

Fanless Mini-ITX Case

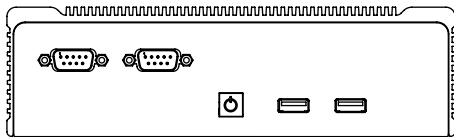
All measurements in mm



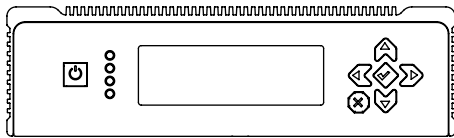
FRONT



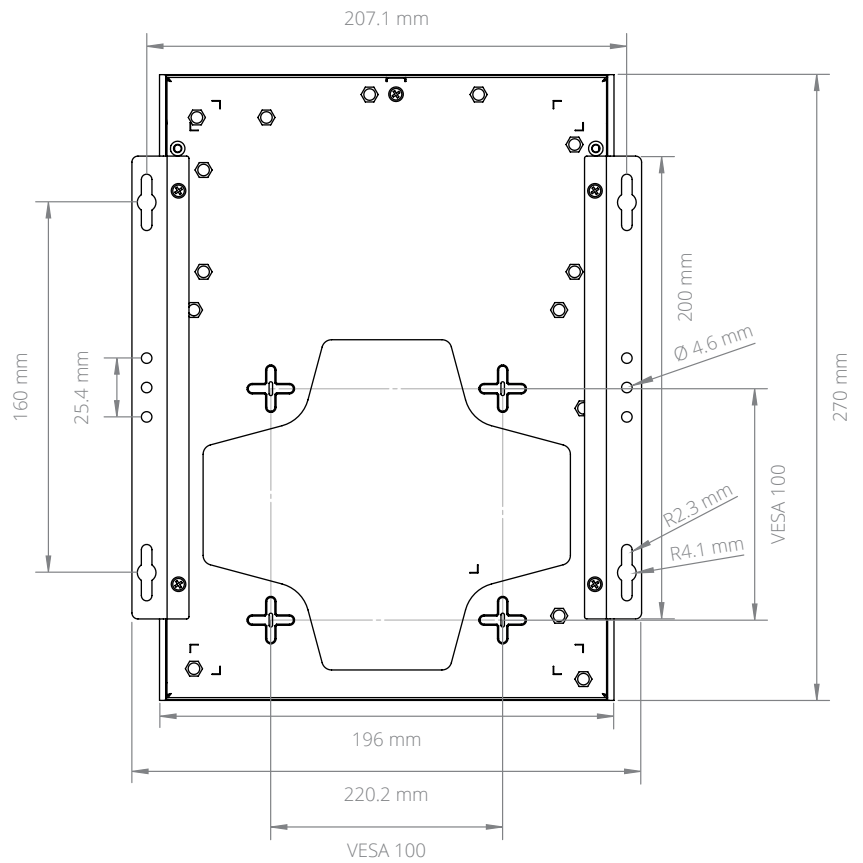
SIDE



** Shown with Additional COM*



** Shown with Optional LCD*



BOTTOM

