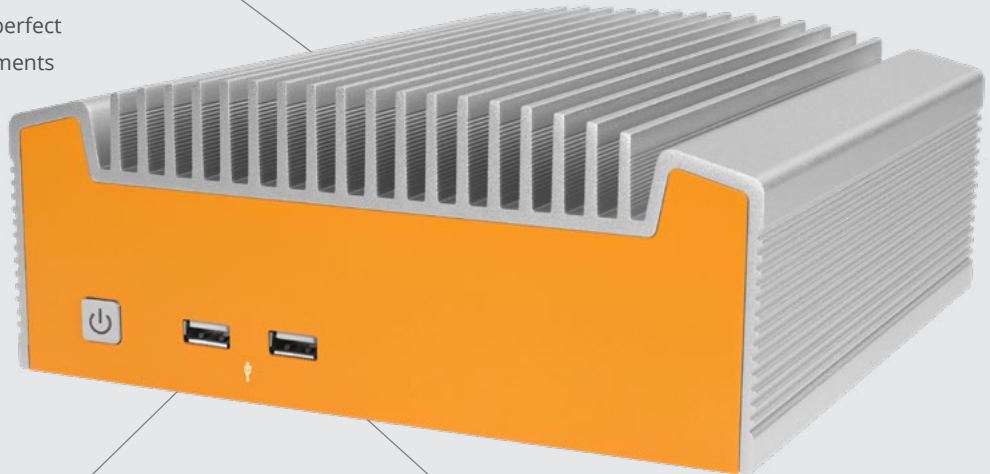


# Industrial Mini-ITX.

Hardened, fanless industrial PC that supports Skylake or Kaby Lake processing from Intel Celeron to Core i7 and features long life components.

## Connectivity Anywhere

Equipped with versatile I/O options, the ML500 Series can easily interface with industry-specific devices, making it perfect for integrating into existing environments or for powering a new project.



## Demand Reliability

Combining functional, yet attractive, efficient designs with a fanless and ventless chassis, as well as our proprietary passive cooling solutions, Hardshell™ Fanless Technology increases the life and durability of our industrial computers.

## Processing Powerhouse

Flexible configuration options allow the ML500 Series to utilize either Skylake or Kaby Lake Intel processors from Celeron to Core i7 and Xeon.

### US Office

Phone: +1 802 861 2300  
Email: [info@logicsupply.com](mailto:info@logicsupply.com)  
[www.logicsupply.com](http://www.logicsupply.com)

### EU Office

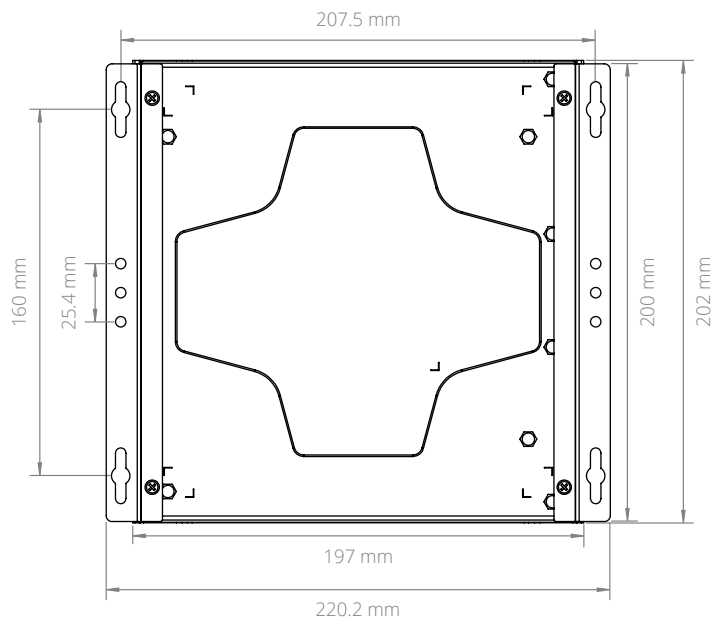
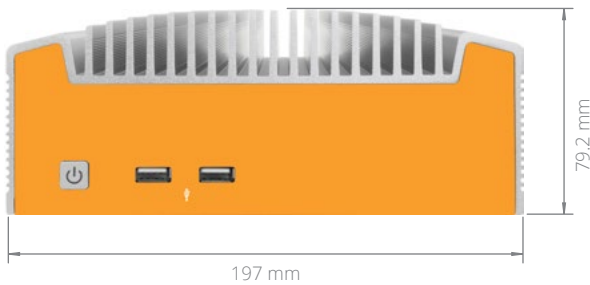
Phone: +31 85 2733760  
Email: [info@logicsupply.eu](mailto:info@logicsupply.eu)  
[www.logicsupply.com](http://www.logicsupply.com)

## Specifications

<b>Front I/O</b>	2 USB 2.0 ports Power button	<b>Memory Capacity</b>	Up to 32 GB
<b>Rear I/O</b>	1 HDMI port 1 DisplayPort 2 Gb LAN ports 4 COM ports 4 USB 3.0 ports 2 Audio jacks; line-out, mic-in	<b>Memory Speed</b>	2133 MHz
<b>Processor</b>	Intel Celeron, Pentium, Core i3/i5/i7	<b>LAN Controller</b>	Intel I210 GbE Intel I219 GbE
<b>Processor Speed</b>	2.3 ~ 3.3 GHz	<b>Input Voltage</b>	12 V
<b>Processor Generation</b>	Kaby Lake, Skylake	<b>Power Input</b>	DC jack
<b>Processor Cores</b>	2 ~ 4	<b>Operating Temp. Range</b>	0 ~ 50°C
<b>Graphics/GPU</b>	Intel HD Graphics	<b>Dimensions (WxHxD)</b>	197 x 79.2 x 202 mm 7.76" x 3.12" x 7.95"
<b>Memory Type</b>	DDR4 SO-DIMM (non-ECC)	<b>Case Material</b>	Steel With Aluminum Extrusion
		<b>Mounting Options</b>	DIN-mount Wall-mount

## Dimensional Drawings

*All measurements in mm*

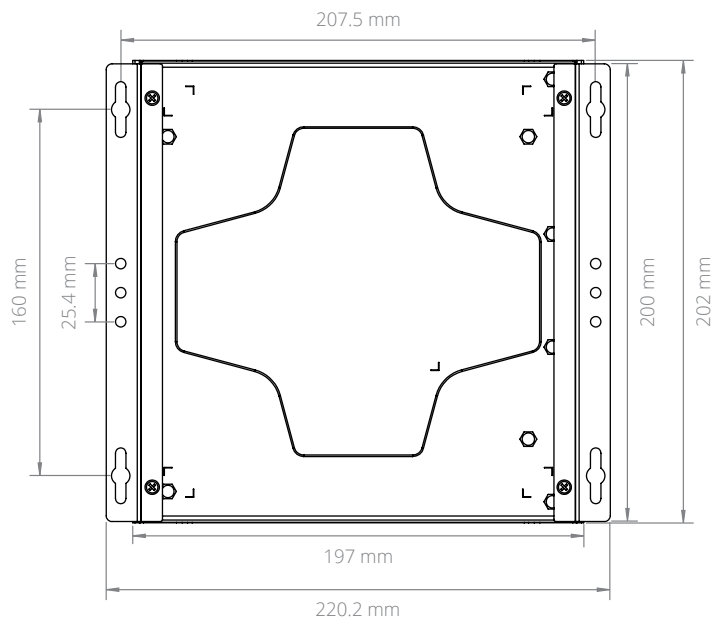
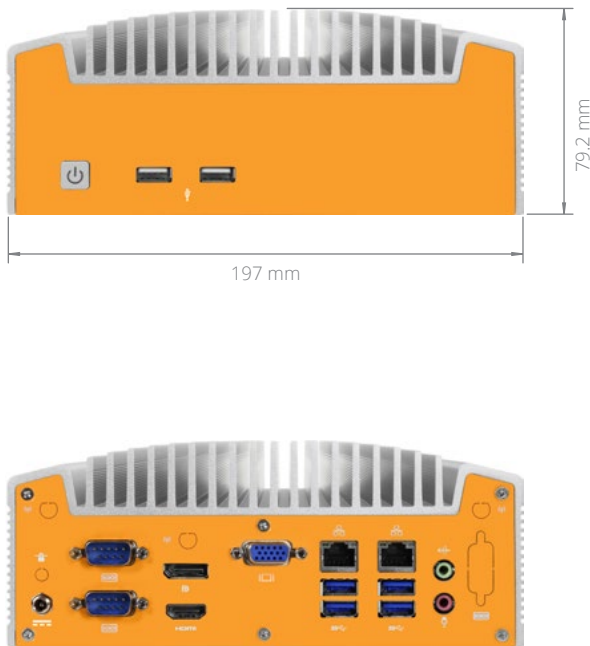


## Specifications

<b>Front I/O</b>	2 USB 2.0 ports Power button	<b>Memory Type</b>	DDR4 SO-DIMM (non-ECC)
<b>Rear I/O</b>	1 HDMI ports 1 DisplayPort 1 VGA port 2 Gb LAN ports 4 USB 3.0 ports 1 RS-232/422/485 COM port 1 RS-232 COM port 2 Audio jacks; line-out, mic-in	<b>Memory Capacity</b>	Up to 32 GB
<b>Processor</b>	Intel Celeron, Pentium, Core i3/i5/i7	<b>Memory Speed</b>	2133 MHz
<b>Processor Speed</b>	2.3 ~ 3.3 GHz	<b>LAN Controller</b>	Intel I210 GbE Intel I219V
<b>Processor Generation</b>	Kaby Lake, Skylake	<b>Input Voltage</b>	12 V
<b>Processor Cores</b>	2 ~ 4	<b>Power Input</b>	DC jack
<b>Graphics/GPU</b>	Intel HD Graphics	<b>Operating Temp. Range</b>	0 ~ 50°C
		<b>Dimensions (WxHxD)</b>	197 x 79.2 x 202 mm 7.76" x 3.12" x 7.95"
		<b>Case Material</b>	Steel With Aluminum Extrusion
		<b>Mounting Options</b>	DIN-mount Wall-mount

## Dimensional Drawings

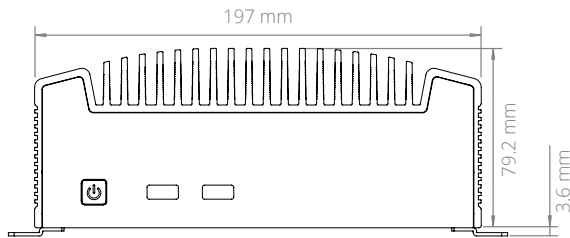
*All measurements in mm*



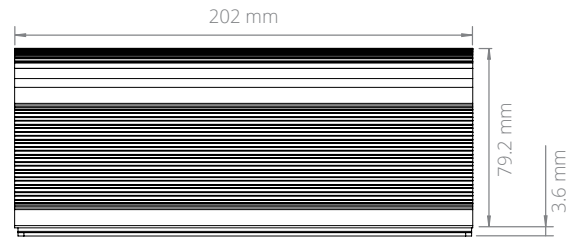
# ML500 Dimensional Drawings

Fanless Mini-ITX Case

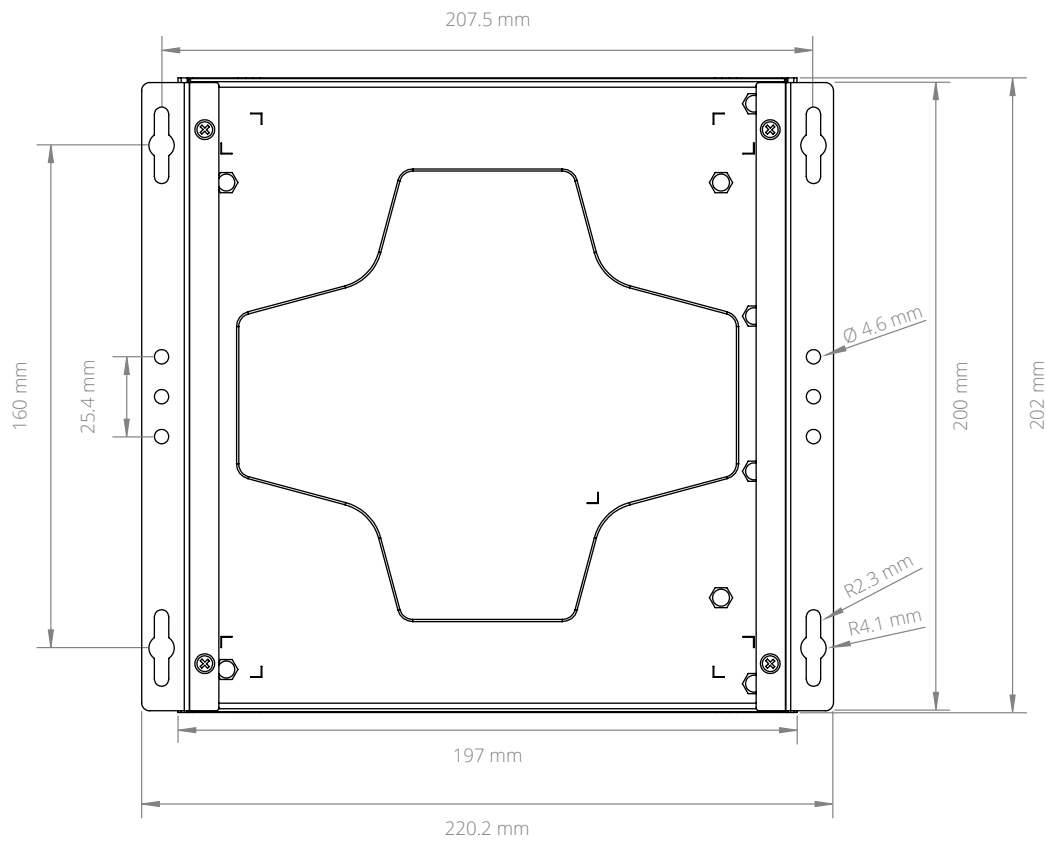
*All measurements in mm*



**FRONT**



**SIDE**



**BOTTOM**

**US Office**

Phone: +1 802 861 2300  
Email: [info@logicsupply.com](mailto:info@logicsupply.com)  
[www.logicsupply.com](http://www.logicsupply.com)

**EU Office**

Phone: +31 85 2733760  
Email: [info@logicsupply.eu](mailto:info@logicsupply.eu)  
[www.logicsupply.com](http://www.logicsupply.com)