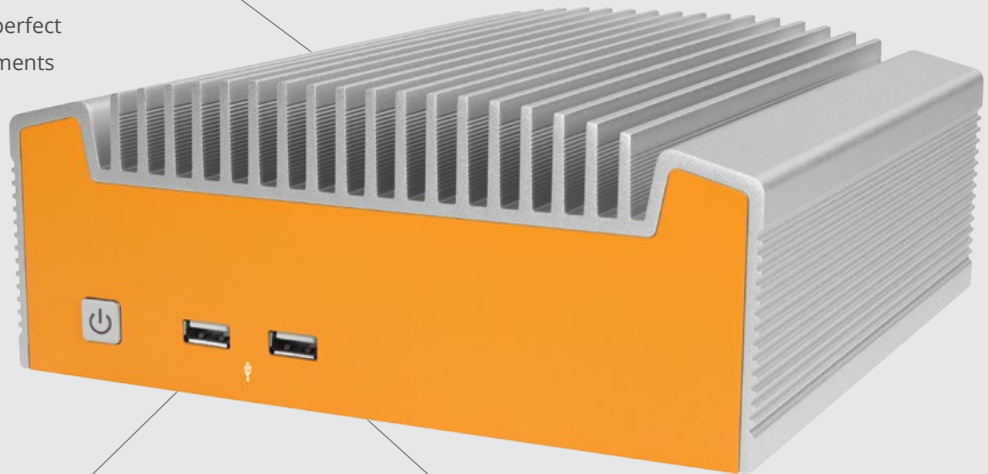


Industrial Mini-ITX.

Hardened, fanless industrial PC that supports Skylake or Kaby Lake processing from Intel Celeron to Core i7 and features long life components.

Connectivity Anywhere

Equipped with versatile I/O options, the ML500 Series can easily interface with industry-specific devices, making it perfect for integrating into existing environments or for powering a new project.



Demand Reliability

Combining functional, yet attractive, efficient designs with a fanless and ventless chassis, as well as our proprietary passive cooling solutions, Hardshell™ Fanless Technology increases the life and durability of our industrial computers.

Processing Powerhouse

Flexible configuration options allow the ML500 Series to utilize either Skylake or Kaby Lake Intel processors from Celeron to Core i7 and Xeon.

US Office

Phone: +1 802 861 2300
Email: info@logicsupply.com
www.logicsupply.com

EU Office

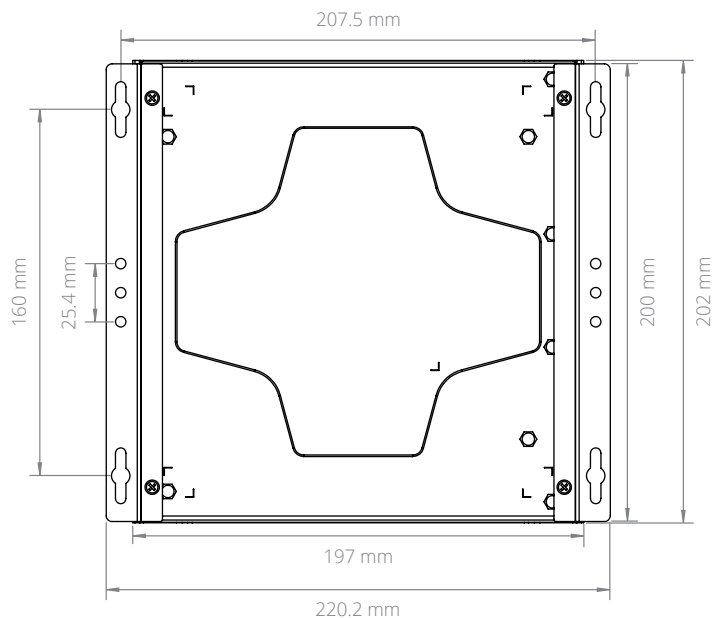
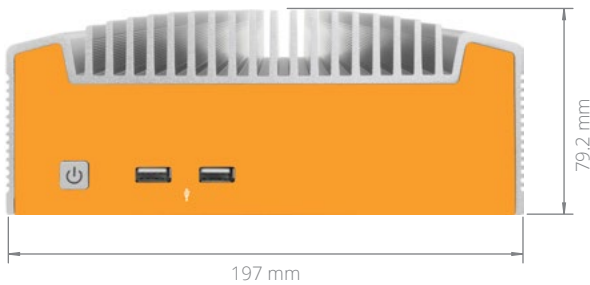
Phone: +31 85 2733760
Email: info@logicsupply.eu
www.logicsupply.com

Specifications

Front I/O	2 USB 2.0 ports Power button	Memory Capacity	Up to 32 GB
Rear I/O	1 HDMI port 1 DisplayPort 2 Gb LAN ports 4 COM ports 4 USB 3.0 ports 2 Audio jacks; line-out, mic-in	Memory Speed	2133 MHz
Processor	Intel Celeron, Pentium, Core i3/i5/i7	LAN Controller	Intel I210 GbE Intel I219 GbE
Processor Speed	2.3 ~ 3.3 GHz	Input Voltage	12 V
Processor Generation	Kaby Lake, Skylake	Power Input	DC jack
Processor Cores	2 ~ 4	Operating Temp. Range	0 ~ 50°C
Graphics/GPU	Intel HD Graphics	Dimensions (WxHxD)	197 x 79.2 x 202 mm 7.76" x 3.12" x 7.95"
Memory Type	DDR4 SO-DIMM (non-ECC)	Case Material	Steel With Aluminum Extrusion
		Mounting Options	DIN-mount Wall-mount

Dimensional Drawings

All measurements in mm

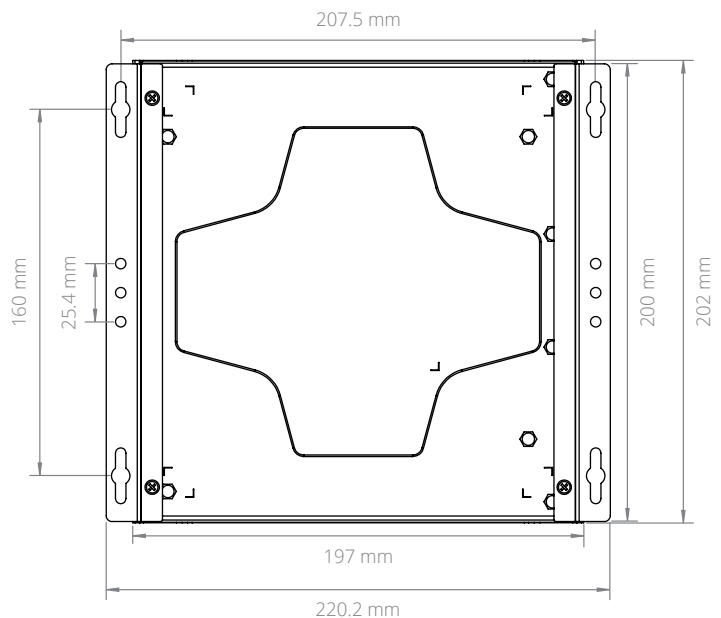
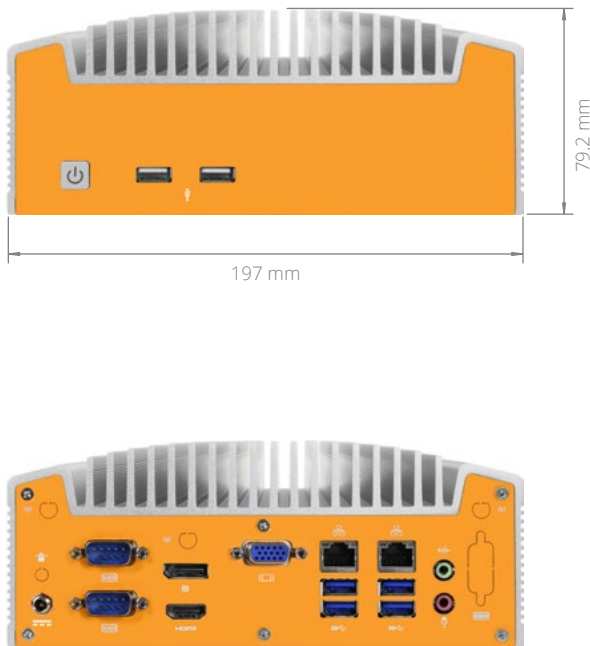


Specifications

Front I/O	2 USB 2.0 ports Power button	Memory Type	DDR4 SO-DIMM (non-ECC)
Rear I/O	1 HDMI ports 1 DisplayPort 1 VGA port 2 Gb LAN ports 4 USB 3.0 ports 2 RS-232/422/485 COM ports 2 Audio jacks; line-out, mic-in	Memory Capacity	Up to 32 GB
Processor	Intel Celeron, Pentium, Core i3/i5/i7	Memory Speed	2133 MHz
Processor Speed	2.3 ~ 3.3 GHz	LAN Controller	Intel I210 GbE Intel I219V
Processor Generation	Kaby Lake, Skylake	Input Voltage	12 V
Processor Cores	2 ~ 4	Power Input	DC jack
Graphics/GPU	Intel HD Graphics	Operating Temp. Range	0 ~ 50°C
		Dimensions (WxHxD)	197 x 79.2 x 202 mm 7.76" x 3.12" x 7.95"
		Case Material	Steel With Aluminum Extrusion
		Mounting Options	DIN-mount Wall-mount

Dimensional Drawings

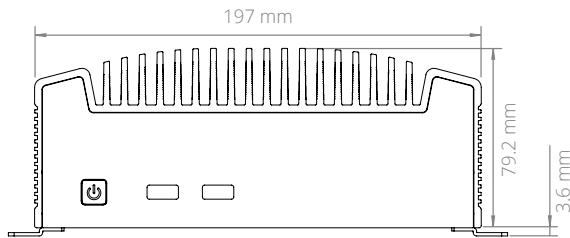
All measurements in mm



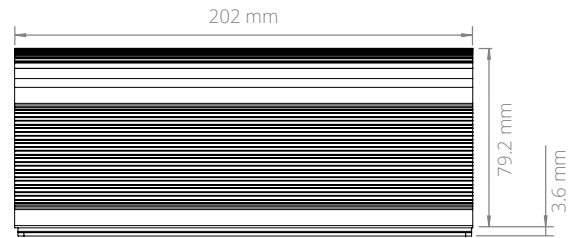
ML500 Dimensional Drawings

Fanless Mini-ITX Case

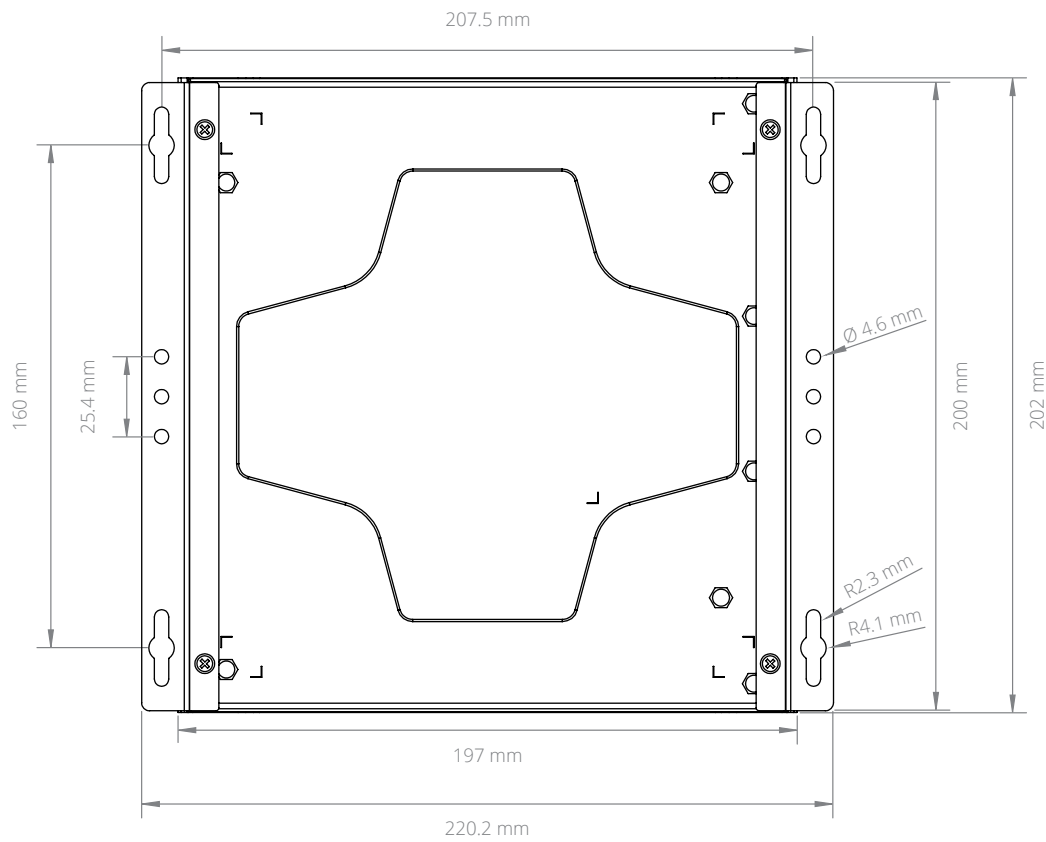
All measurements in mm



FRONT



SIDE



BOTTOM

US Office

Phone: +1 802 861 2300
Email: info@logicsupply.com
www.logicsupply.com

EU Office

Phone: +31 85 2733760
Email: info@logicsupply.eu
www.logicsupply.com