

Innovation Loves Company.

The ML600 Series builds on Logic Supply's history of engineering expertise, packing a wide array of features into its distinctive hardened, fanless chassis.

logicsupply.com/ml600/



Performance Meets Industrial

Utilizing a fanless, ultra-reliable Hardshell™ chassis, the ML600 Series brings true server class processing and versatility into the industrial work space.

Store More, Worry Less

Able to accommodate a variety of storage and expansion options, the ML600 Series delivers reliable data-centric performance with industry leading EMI protection.

Enterprise DNA

The ML600 Series stays true to its industrial heritage, but without compromising on the processing power or management capabilities today's server applications require.

US Office

Phone: +1 802 861 2300
Email: info@logicsupply.com
www.logicsupply.com

EU Office

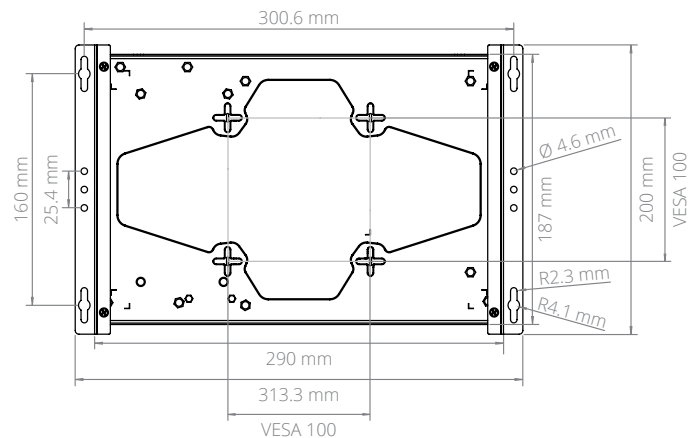
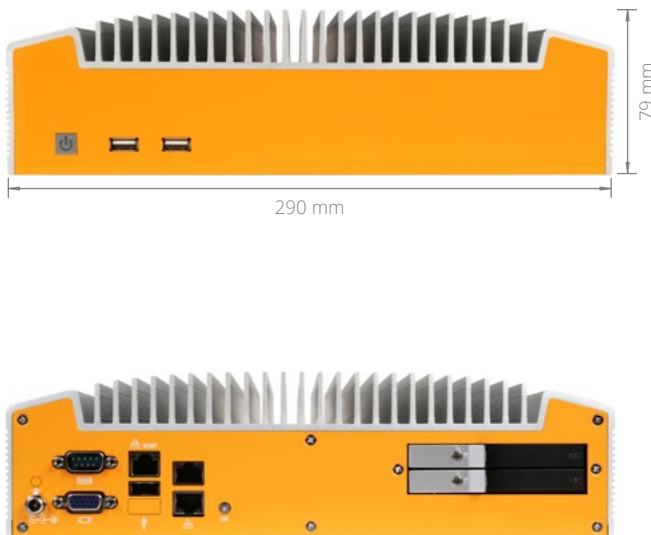
Phone: +31 85 2733760
Email: info@logicsupply.eu
www.logicsupply.com

Specifications

Front I/O	2 USB 2.0 ports Power Button	Memory Type	DDR3 DIMM (ECC)
Rear I/O	1 USB 2.0 port 2 Gb LAN ports 1 IPMI port 1 RS-232 COM port 1 VGA port 1 DC Jack	Memory Capacity	Up to 32 GB
Processor	Intel Avoton	Memory Speed	1600 MHz
Processor Speed	Configuration Dependent	LAN Controller	Intel I210 GbE
Processor Generation	Avoton	Input Voltage	12 V
Processor Cores	Configuration Dependent	Power Input	DC jack
Graphics/GPU	ASPEED AST2300	Operating Temp. Range	0°C ~ 50°C
		Dimensions (WxHxD)	290 x 79 x 187 mm
		Case Material	Steel With Aluminum Extrusion
		Mounting	DIN-mount, VESA MIS-D 100 mount, Wall-mount

Dimensional Drawings

All measurements in mm

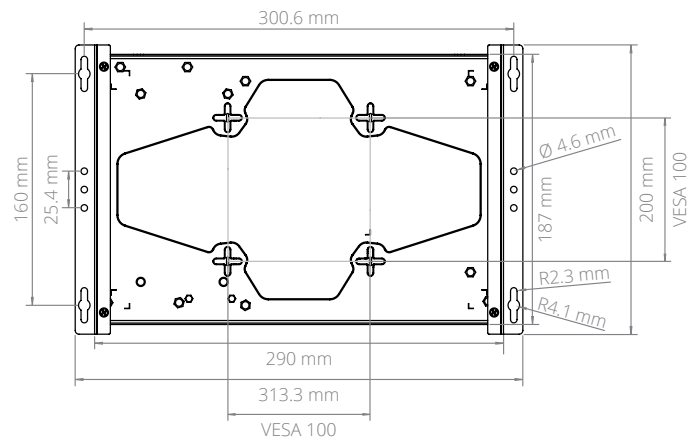
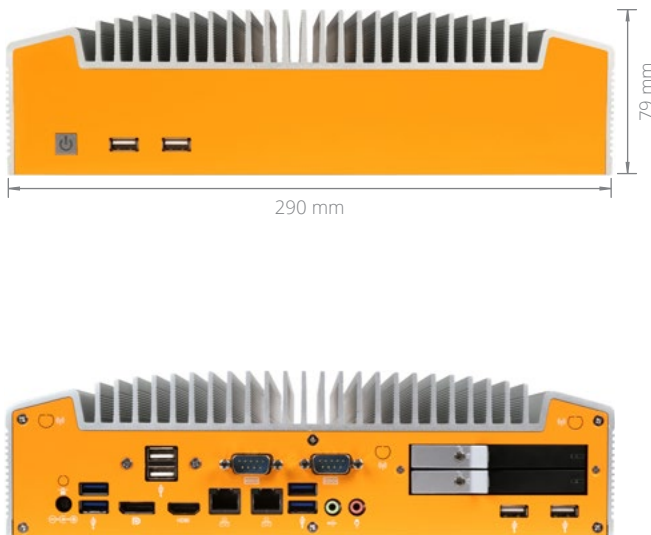


Specifications

Front I/O	2 USB 2.0 ports Power Button	Memory Type	DDR3 SO-DIMM (non-ECC)
Rear I/O	1 DisplayPort 1 HDMI port 2 Gb LAN ports (1 with iAMT support) 4 USB 3.0 ports 2 RS-232 COM ports 4 USB 2.0 ports 2 Audio jacks: line-out, mic-in 1 DC jack	Memory Capacity	Up to 16 GB
Processor	Intel Celeron, Pentium, Core i3/i5/i7	Memory Speed	1600 MHz
Processor Speed	Configuration Dependent	LAN Controller	Intel I210 GbE Intel I217LM GbE with Intel AMT
Processor Generation	Haswell	Input Voltage	19 V
Processor Cores	Configuration Dependent	Power Input	DC jack
Graphics/GPU	Intel 4th Generation HD Graphics	Operating Temp. Range	0°C ~ 50°C
		Dimensions (WxHxD)	290 x 79 x 187 mm
		Case Material	Steel With Aluminum Extrusion
		Mounting	DIN-mount, VESA MIS-D 100 mount, Wall-mount

Dimensional Drawings

All measurements in mm

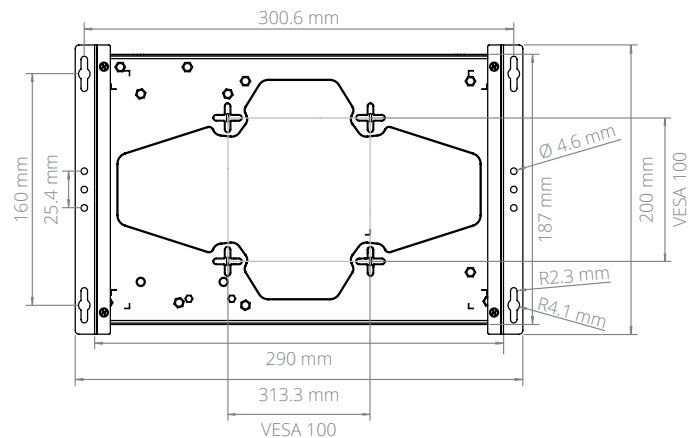
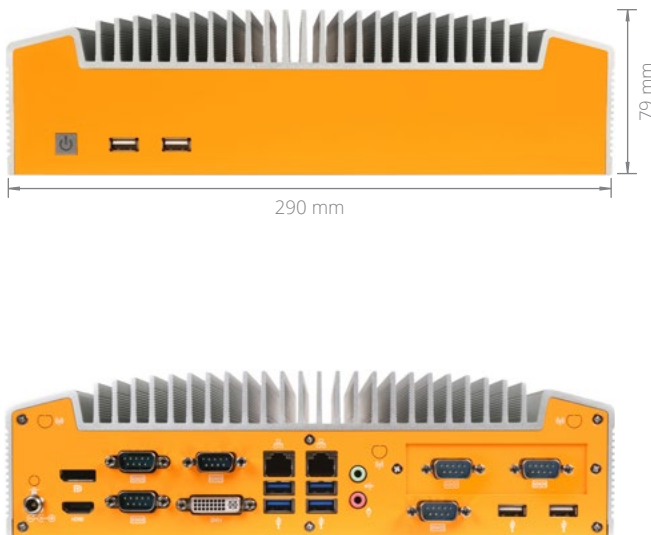


Specifications

Front I/O	2 USB 2.0 ports Power Button	Memory Type	DDR3 SO-DIMM (non-ECC)
Rear I/O	1 HDMI port 1 DisplayPort 1 DVI-I port 4 USB 3.0 ports 2 USB 2.0 ports 2 Gb LAN ports 3 RS-232/422/485 COM ports 3 RS-232 COM ports 2 Audio jacks; line-out, mic-in 1 DC Jack	Memory Capacity	Up to 16 GB
Processor	Intel Celeron, Pentium, Core i3/i5/i7	Memory Speed	1600 MHz
Processor Speed	Configuration Dependent	LAN Controller	Intel I210 GbE Intel I217LM GbE with Intel AMT
Processor Generation	Haswell	Input Voltage	12 V
Processor Cores	Configuration Dependent	Power Input	DC jack
Graphics/GPU	Intel 4th Generation HD Graphics	Operating Temp. Range	0°C ~ 50°C
		Dimensions (WxHxD)	290 x 79 x 187 mm
		Case Material	Steel With Aluminum Extrusion
		Mounting	DIN-mount, VESA MIS-D 100 mount, Wall-mount

Dimensional Drawings

All measurements in mm

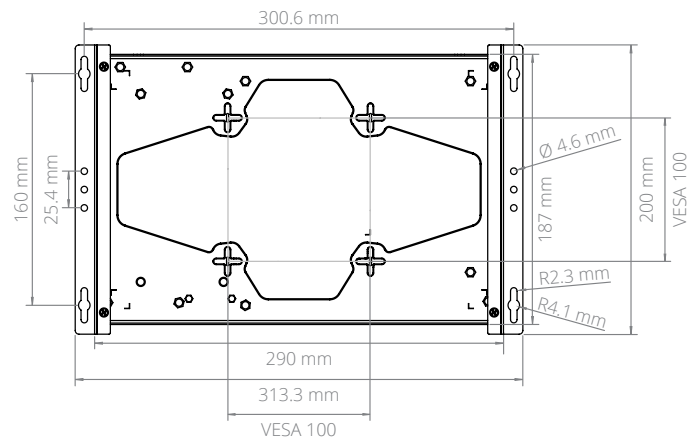
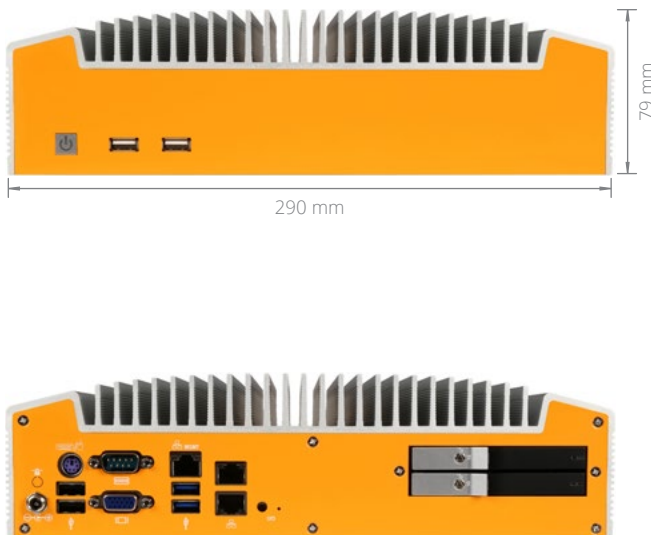


Specifications

Front I/O	2 USB 2.0 ports Power Button	Memory Type	DDR3 DIMM (ECC)
Rear I/O	1 PS/2 port 2 USB 2.0 ports 2 USB 3.0 ports 2 Gb LAN ports 1 IPMI port 1 RS-232 COM port 1 VGA Video port 1 UID light with switch 1 DC Jack	Memory Capacity	Up to 16 GB
Processor	Intel Xeon E3-1240Lv3	Memory Speed	1600 MHz
Processor Speed	2 GHz	LAN Controller	Intel I210-AT GbE
Processor Generation	Haswell	Input Voltage	12 V
Processor Cores	4	Power Input	DC jack
Graphics/GPU	ASPEED AST2300	Operating Temp. Range	0°C ~ 40°C
		Dimensions (WxHxD)	290 x 79 x 187 mm
		Case Material	Steel With Aluminum Extrusion
		Mounting	DIN-mount, VESA MIS-D 100 mount, Wall-mount

Dimensional Drawings

All measurements in mm

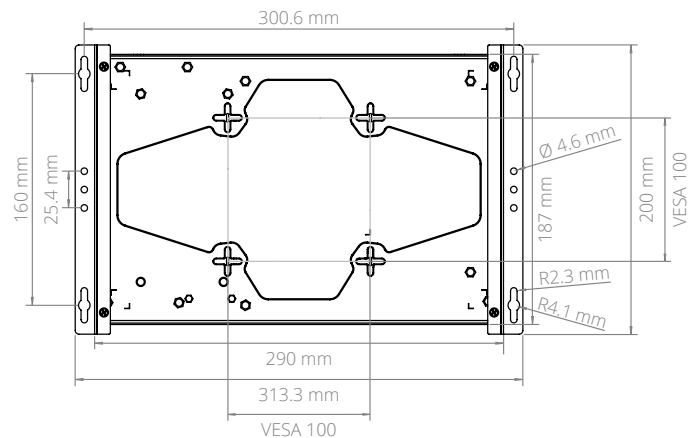
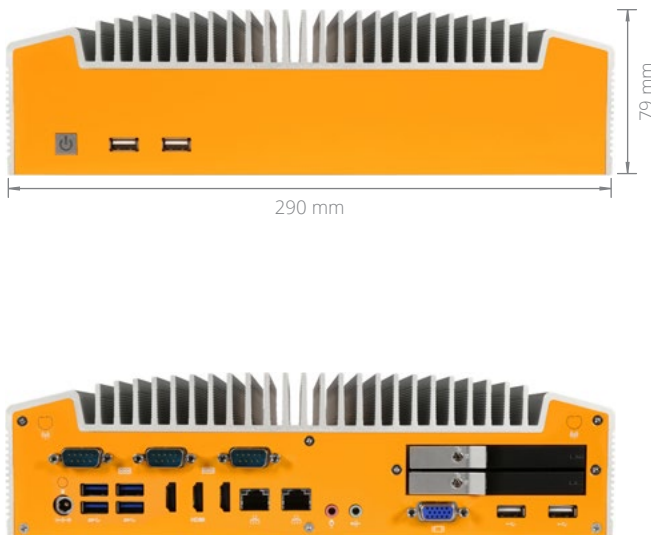


Specifications

Front I/O	2 USB 2.0 ports Power Button	Memory Type	DDR4 SO-DIMM (non-ECC)
Rear I/O	2 USB 2.0 ports 4 USB 3.0 ports 3 HDMI ports 2 Gb LAN ports 2 RS-232/422/485 COM ports 1 RS-232 COM port 1 VGA port 2 Audio jacks; line-out, mic-in	Memory Capacity	Up to 32 GB
Processor	Intel Celeron, Pentium, Core i3/i5/i7	Memory Speed	2133 MHz
Processor Speed	Configuration Dependent	LAN Controller	Intel I210 GbE Intel I219LM
Processor Generation	Skylake	Input Voltage	12 V
Processor Cores	Configuration Dependent	Power Input	DC jack
Graphics/GPU	Intel HD Graphics 510 Intel HD Graphics 530 (Processor Dependent)	Operating Temp. Range	0°C ~ 50°C
		Dimensions (WxHxD)	290 x 79 x 187 mm
		Case Material	Steel With Aluminum Extrusion
		Mounting	DIN-mount, VESA MIS-D 100 mount, Wall-mount

Dimensional Drawings

All measurements in mm



ML600 Dimensional Drawings

Industrial Fanless Microserver

All measurements in mm

